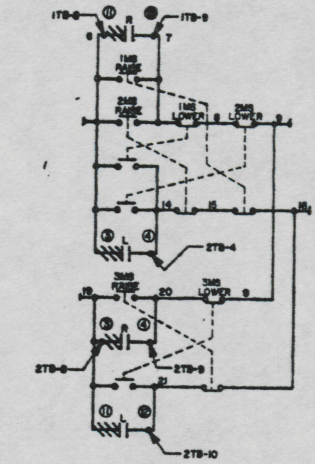
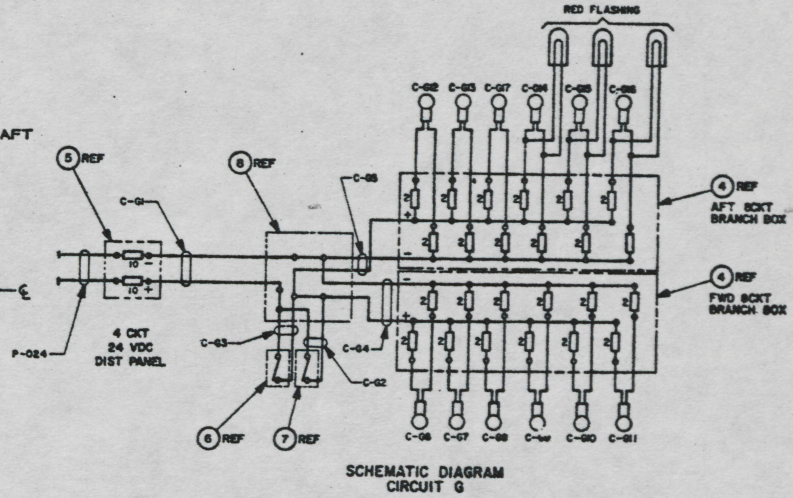


FORM	REV	DESCRIPTION	DATE	APPROVED

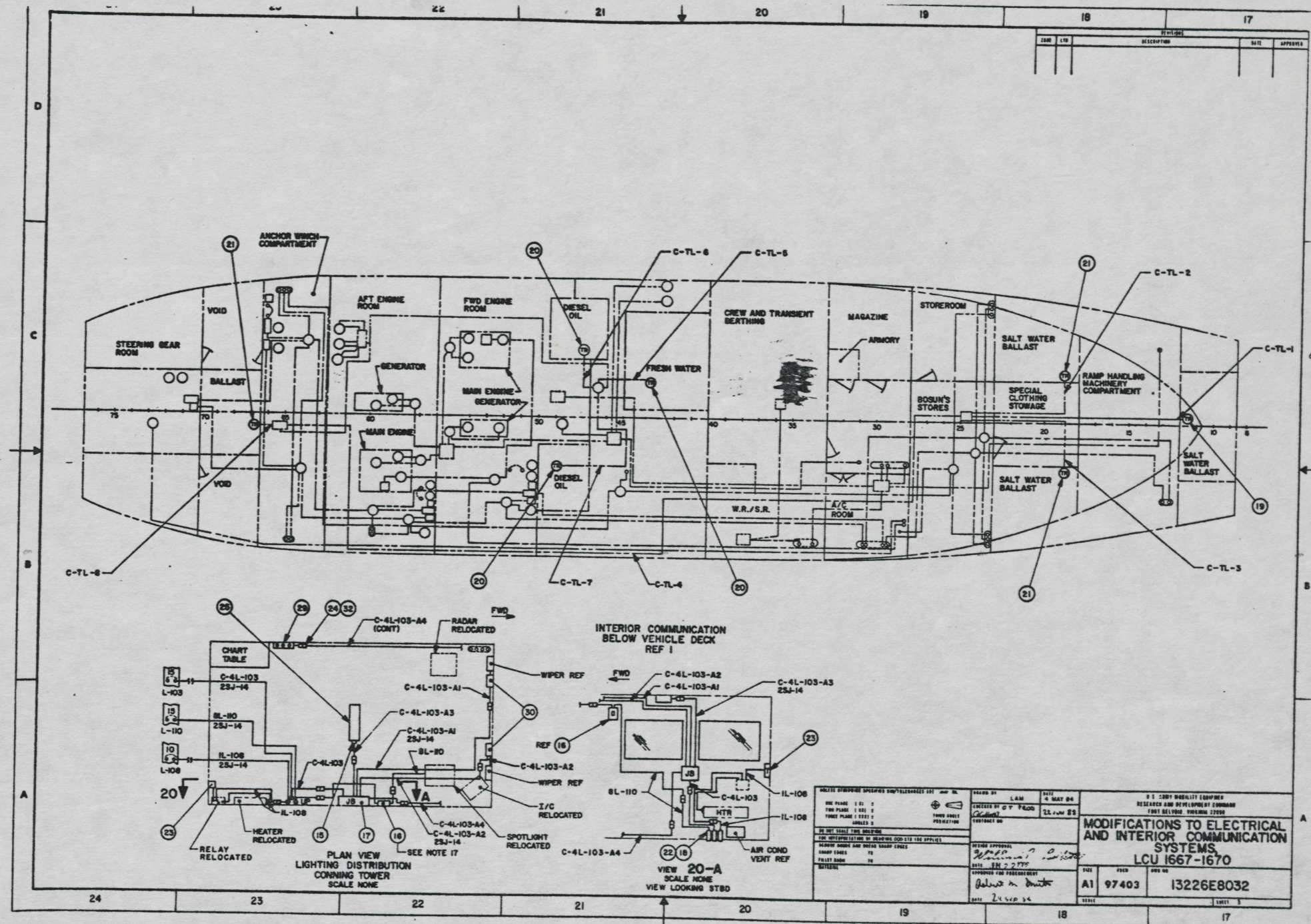


BOW RAMP PUSH BUTTON STA MOTOR CONTROLLER MODIFICATION SEE NOTE 16



SCHEMATIC DIAGRAM CIRCUIT G

TITLE: MODIFICATIONS TO ELECTRICAL AND INTERIOR COMMUNICATION SYSTEMS. SHEET NO: 1 OF 2 DATE: 10/1/67 DRAWN BY: [Signature] CHECKED BY: [Signature] APPROVED BY: [Signature] APPROVED FOR: [Signature]	PROJECT NO: A1 97403 DRAWING NO: 13226E8032 SHEET NO: 2 OF 2	U.S. ARMY MOBILITY EQUIPMENT RESEARCH AND DEVELOPMENT COMMAND FORT BELVOIR, COLORADO 80505
--	--	--

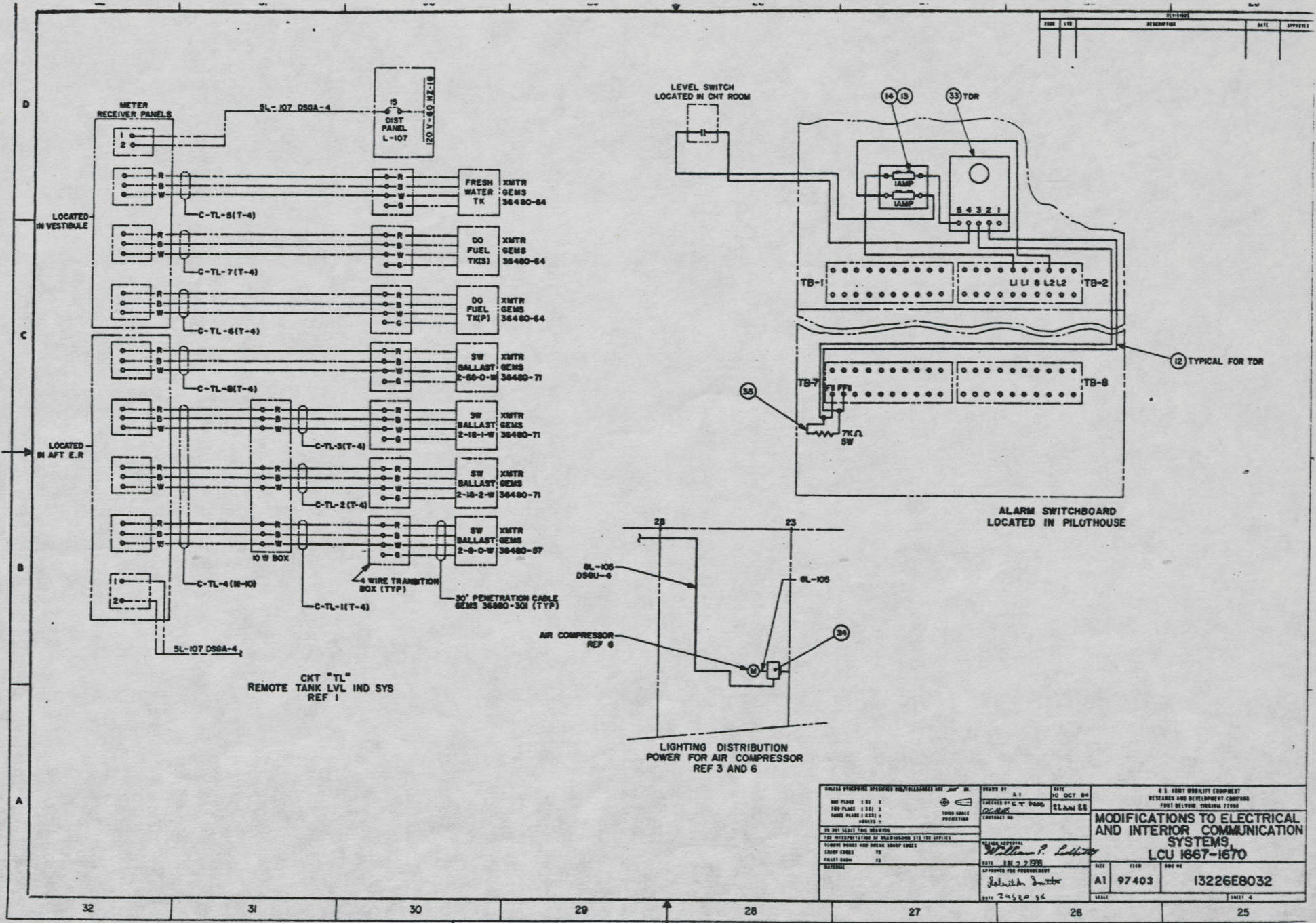


MODIFICATIONS TO ELECTRICAL AND INTERIOR COMMUNICATION SYSTEMS, LCU 1667-1670

DESIGN APPROVAL	DATE	BY
APPROVED FOR PRODUCTION	DATE	BY

FIG. NO.	REV.	DATE	BY
A1	1	22 JUN 85	

13226E8032



UNLESS OTHERWISE SPECIFIED DIMENSIONS ARE IN INCHES	SCALE: AS SHOWN	DATE: 10 OCT 64	PROJECT: A1
SEE PLANS 1 01 0	SEE PLANS 1 02 0	SEE PLANS 1 03 0	SEE PLANS 1 04 0
SEE PLANS 1 05 0	SEE PLANS 1 06 0	SEE PLANS 1 07 0	SEE PLANS 1 08 0
SEE PLANS 1 09 0	SEE PLANS 1 10 0	SEE PLANS 1 11 0	SEE PLANS 1 12 0
SEE PLANS 1 13 0	SEE PLANS 1 14 0	SEE PLANS 1 15 0	SEE PLANS 1 16 0
SEE PLANS 1 17 0	SEE PLANS 1 18 0	SEE PLANS 1 19 0	SEE PLANS 1 20 0
SEE PLANS 1 21 0	SEE PLANS 1 22 0	SEE PLANS 1 23 0	SEE PLANS 1 24 0
SEE PLANS 1 25 0	SEE PLANS 1 26 0	SEE PLANS 1 27 0	SEE PLANS 1 28 0
SEE PLANS 1 29 0	SEE PLANS 1 30 0	SEE PLANS 1 31 0	SEE PLANS 1 32 0
SEE PLANS 1 33 0	SEE PLANS 1 34 0	SEE PLANS 1 35 0	SEE PLANS 1 36 0
SEE PLANS 1 37 0	SEE PLANS 1 38 0	SEE PLANS 1 39 0	SEE PLANS 1 40 0
SEE PLANS 1 41 0	SEE PLANS 1 42 0	SEE PLANS 1 43 0	SEE PLANS 1 44 0
SEE PLANS 1 45 0	SEE PLANS 1 46 0	SEE PLANS 1 47 0	SEE PLANS 1 48 0
SEE PLANS 1 49 0	SEE PLANS 1 50 0	SEE PLANS 1 51 0	SEE PLANS 1 52 0
SEE PLANS 1 53 0	SEE PLANS 1 54 0	SEE PLANS 1 55 0	SEE PLANS 1 56 0
SEE PLANS 1 57 0	SEE PLANS 1 58 0	SEE PLANS 1 59 0	SEE PLANS 1 60 0
SEE PLANS 1 61 0	SEE PLANS 1 62 0	SEE PLANS 1 63 0	SEE PLANS 1 64 0
SEE PLANS 1 65 0	SEE PLANS 1 66 0	SEE PLANS 1 67 0	SEE PLANS 1 68 0
SEE PLANS 1 69 0	SEE PLANS 1 70 0	SEE PLANS 1 71 0	SEE PLANS 1 72 0
SEE PLANS 1 73 0	SEE PLANS 1 74 0	SEE PLANS 1 75 0	SEE PLANS 1 76 0
SEE PLANS 1 77 0	SEE PLANS 1 78 0	SEE PLANS 1 79 0	SEE PLANS 1 80 0
SEE PLANS 1 81 0	SEE PLANS 1 82 0	SEE PLANS 1 83 0	SEE PLANS 1 84 0
SEE PLANS 1 85 0	SEE PLANS 1 86 0	SEE PLANS 1 87 0	SEE PLANS 1 88 0
SEE PLANS 1 89 0	SEE PLANS 1 90 0	SEE PLANS 1 91 0	SEE PLANS 1 92 0
SEE PLANS 1 93 0	SEE PLANS 1 94 0	SEE PLANS 1 95 0	SEE PLANS 1 96 0
SEE PLANS 1 97 0	SEE PLANS 1 98 0	SEE PLANS 1 99 0	SEE PLANS 1 100 0

MODIFICATIONS TO ELECTRICAL AND INTERIOR COMMUNICATION SYSTEMS, LCU 1667-1670

DATE: 10 OCT 64

APPROVED FOR PROJECT: *William P. Lohr*

DATE: 10 OCT 64

APPROVED FOR PROJECT: *Richard D. Smith*

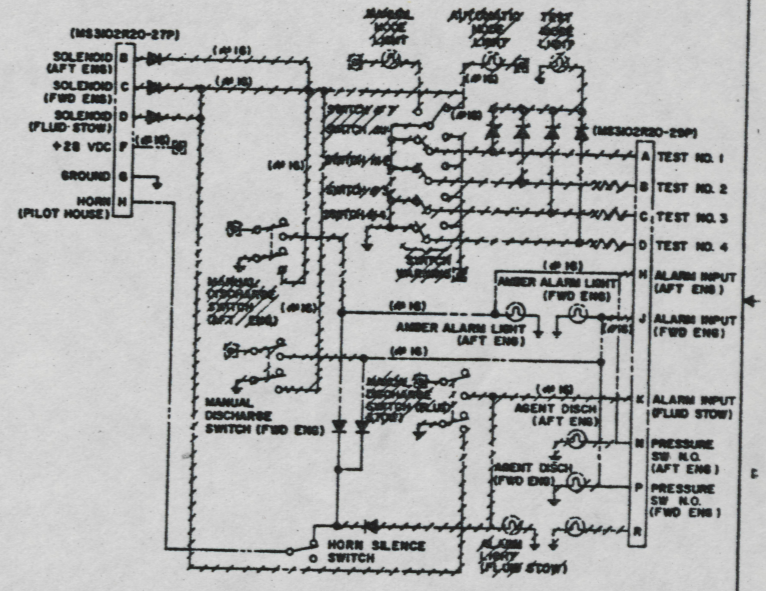
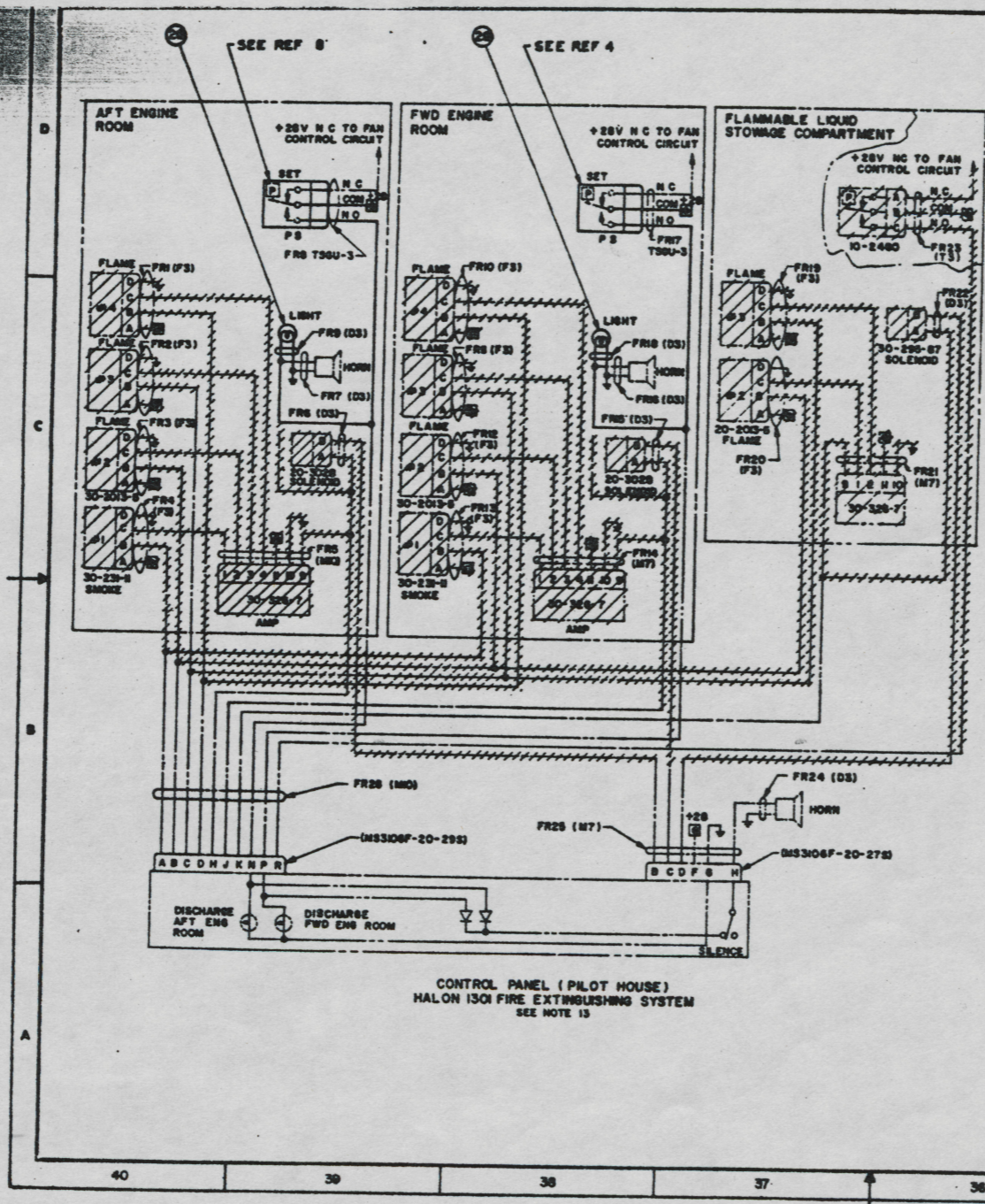
DATE: 24 SEP 64

PROJECT: A1

FILE NO: 97403

FIGURE NO: 13226E8032

SHEET 4



CONTROL PANEL SCHEMATIC
HALON 1301 FIRE EXTINGUISHING SYSTEM
SEE NOTE 13

CONTROL PANEL (PILOT HOUSE)
HALON 1301 FIRE EXTINGUISHING SYSTEM
SEE NOTE 13

DESIGNED BY: [Signature] CHECKED BY: [Signature] DATE: 27 JUN 68	TITLE: MODIFICATIONS TO ELECTRICAL AND INTERIOR COMMUNICATION SYSTEMS, LCU 1667-1670 PART: A1 DRAWING NO: 97403 ISSUE: 13226E8032
--	--