

K

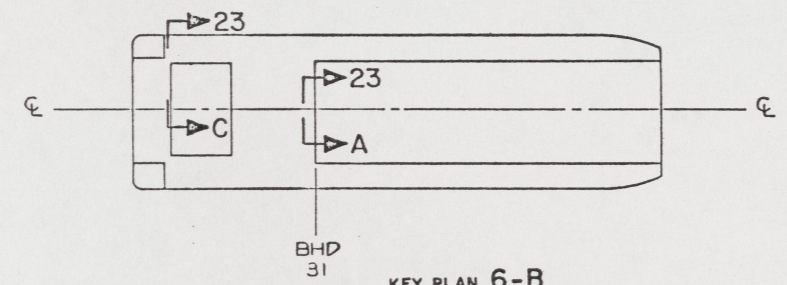
REFERENCE DRAWINGS APPLICABLE TO HULL NUMBERS 8540 THRU 8560 AND 8580 THRU 8618		
NO.	DRAWING NO.	TITLE
1	13226E9463	LCM-8,MOD-1,CONTROL CONSOLE MODIFICATIONS
2	13226E9455	LCM-8,MOD-1,MODIFICATION HYD START SYSTEM
3	13226E9454	LCM-8,MOD-1,BATTERY BOX INSTALLATION
4	13226E9448	LCM-8,MOD-1,ENGINE FOUNDATIONS
5	13226E9459	LCM-8,MOD-1,STOWAGE LOCKER
6	13226E9458	LCM-8,MOD-1,MODS FOR INSTALLATION OF NAV LTS
7	13226E9470	LCM-8,MOD-1,FUEL SYSTEM MODIFICATION
8	13226E9464	LCM-8,MOD-1,MISCELLANEOUS STRUCTURAL DETAILS
9	13226E9468	LCM-8,MOD-1,MARINE SANITATION DEVICE

SHEETS		ZONE		LTR		STATUS OF REVISIONS		DATE	APPROVED
5	4	3	2	A	B	DESCRIPTION			
A	A	A	-	A		SEE ECP NO. 90HE3102		16 JUN 80	ELN
A	A	B	-	B		SEE ECP NO. 90HE3309 AND 90HE3310		18 JUN 80	ELN

- NOTES:
- THIS DRAWING HAS BEEN DEVELOPED FROM BOAT DRAWINGS FOR ACCOMPLISHING THE INSTALLATION OF NEW ENGINES AND ELECTRICAL EQUIPMENT.
  - TEMPLATE ALL WORK FROM VESSEL AND EQUIPMENT. ROUTING SHALL BE THRU EXISTING STUFFING BOXES AND ALONG EXISTING WIRE WAYS.
  - EQUIPMENT AND WORKMANSHIP SHALL BE IN ACCORDANCE WITH USCG,ABS,USPHS AND IEEE 45 REGULATIONS.
  - REPAIR ALL PAINT DAMAGED BY THIS INSTALLATION AND PAINT ALL NEW STEEL IN ACCORDANCE WITH U.S. ARMY TB43-0144.
  - MATERIAL ORDERED ON THIS DRAWING IS NOT INTENDED TO BE RESTRICTIVE. SUBSTITUTION OF EQUAL QUALITY MATERIAL MAY BE MADE, EXCEPT ITEMS MARKED GFE.
  - CABLE RUNS ARE DIAGRAMMATIC ONLY.
  - EQUIPMENT NOT GROUNDED BY METHOD OF ATTACHMENT TO VESSEL STRUCTURE SHALL BE BONDED TO GROUND.
  - ALL CURRENT CARRYING CONDUCTORS SHALL BE UNGROUNDED.
  - INSTALLING ACTIVITY SHALL PROVIDE SUITABLE MOUNTING AND HARDWARE FOR COMPONENTS AND CABLE CLAMPS FOR CABLES.
  - VOLTAGE PROTECTOR, FIND NO. 9, COMES WITH 3-NO. 10 SHEET METAL SCREWS.
  - LOCATE COMPONENTS SHOWN IN VIEW 12-C ON LEFT SIDE OF ENGINE FOUNDATIONS, BELOW SOLE PLATE AND BETWEEN FORWARDMOST SIDE GUSSETS,SEE REF 4.
  - ENGINE ROOM INSTRUMENT PANELS COME WITH ENGINES, ORDERED ON REF 4.
  - FIND NUMBERS IDENTIFIED WITH \* AVAILABLE FROM EXISTING ELECTRICAL ARRANGEMENT AND ARE TO BE SALVAGED AND USED IN THIS INSTALLATION.
  - ALL OTHER WIRING NOT SHOWN ON THIS DRAWING SHALL BE REPLACED.
  - RELOCATE FANS AND RECEPTACLES ON BHD 31 TO CLEAR ENGINE COOLING SYSTEM AND BILGE PIPING.
  - COMPONENTS SHOWN BY SOLID, HEAVY LINES ARE NEW AND ARE TO BE INSTALLED IN ACCORDANCE WITH THIS DRAWING. PHANTOM LINES INDICATE EXISTING COMPONENTS INSTALLED BY DRAWINGS REFERENCED AS NOTED.
  - MOUNT BARRIER BLOCK, FIND NO. 53, TO BOX, FIND NO. 31, BY PROVIDING FOUR .155-.160 DIA HOLES IN PANEL USING BARRIER BLOCK AS TEMPLATE. MOUNT BARRIER BLOCK WITH HARDWARE FIND NO. 54, 55 AND 56.
  - TERMINAL LUGS SHALL BE MS25036 TYPE, PROPERLY SIZED TO WIRE AND RING TONGUE DIAMETER.

REFERENCE DRAWINGS APPLICABLE TO HULL NUMBERS 8520 THRU 8539		
NO.	DRAWING NO.	TITLE
1	13226E2254	LCM-8,MOD-1,CONTROL CONSOLE MODIFICATIONS
2	13226E9455	LCM-8,MOD-1,MODIFICATION HYD START SYSTEM
3	13226E9454	LCM-8,MOD-1,BATTERY BOX INSTALLATION
4	13226E9448	LCM-8,MOD-1,ENGINE FOUNDATIONS
5	13226E9459	LCM-8,MOD-1,STOWAGE LOCKER
6	13226E9458	LCM-8,MOD-1,MODS FOR INSTALLATION OF NAV LTS
7	13226E9470	LCM-8,MOD-1,FUEL SYSTEM MODIFICATION
8	13226E9464	LCM-8,MOD-1,MISCELLANEOUS STRUCTURAL DETAILS
9	13226E9468	LCM-8,MOD-1,MARINE SANITATION DEVICE

THIS DRAWING APPLIES TO HULL NUMBERS 8520 THROUGH 8560 AND 8580 THROUGH 8618 ONLY



YARD	FIND NO.	PSCH	DWG SIZE	PART OR IDENTIFYING	QTY REQD	NOMENCLATURE OR DESCRIPTION	SPECIFICATION	MATERIAL
YARD 57	75915			TY155009A	1	FUSEHOLDER, BAYONET KNOB IN-LINE, 32V, 20A.	COML	VARIOUS
						14 AWG WIRE, WITH SFE 9 FUSE (9A) (LITTELFUSE)		
YARD 56				MS35649-282	4	NUT, PLAIN, HEX, .164-32 UNC-2B		C.S.
YARD 55				MS35338-42	4	WASHER, LOCK-SPRING, HELICAL, NO. 8 NOM SIZE		C.S.
YARD 54				MS35206-246	4	SCREW, MACHINE-PAN HD, CROSS RECESSED, NO. 8-32 UNC-2A X .625 L		C.S.
YARD 53	71785			004-00343-9	1	BARRIER BLOCK, 141 SERIES, 12 CONTACTS (LABINAL)	COML	VARIOUS
YARD 52	18179			90PC08B	2	PROTECTIVE BOOT, NO. 8 GAUGE SIZE (JULIAN)	COML	RBR
YARD 51	18179			90PC01B	2	PROTECTIVE BOOT, NO. 1 GAUGE SIZE (JULIAN)	COML	RBR
YARD 50	18179			90PC06B	4	PROTECTIVE BOOT, NO. 6 GAUGE SIZE (JULIAN)	COML	RBR
YARD 49				MS24524-22	1	SWITCH, TOGGLE, DPDT, ON/OFF		
YARD 48				M81824/1-3	2	SPLICE, ELECTRIC, PERMANENT, WIRE RANGE 16-12 AWG	MIL-S-81824/1	CPR, INSUL
YARD 47				M24643/3-10UN	AR	CABLE, ELECTRICAL, 600 V, TYPE LSDHOF, SIZE 3, 16 AWG	MIL-C-24643/3	COML
YARD 46	29812			WT10-3/8P	2	BATTERY, TERMINAL, WING TYPE, POS (JACKSON)	COML	LEAD
YARD 45	29812			CL90-38 ET	2	LUG, SOLDERING, 3/8 STUD SIZE (JACKSON)	COML	COPPER
YARD 44				M24643/14-02UN	1	CABLE, ELECTRICAL, 1000 V, TYPE LSSSGU, SIZE 75, 1 AWG X 12"L	MIL-C-24643/14	COML
YARD 43	29812			CL90-56ET	2	LUG, SOLDERING, 5/16 STUD SIZE (JACKSON)	COML	COPPER

GFE	FIND NO.	PSCH	DWG SIZE	PART OR IDENTIFYING NO.	QTY REQD	NOMENCLATURE OR DESCRIPTION	SPECIFICATION	MATERIAL
	42			37919	1	MDL 150,520-012 AND 530-025		VARIOUS
	41			71607	2	AGC-1		VARIOUS
YARD	40			71607	2	HKP		VARIOUS
	39				REF	ORD ON REF 6		
	38				REF	ORD ON REF 6		
	37				REF	ORD ON REF 6		
	36				REF	ORD ON REF 6		
	35				REF	ORD ON REF 6		
	34				REF	ORD ON REF 6		
	33				REF	ORD ON REF 6		
YARD	32			M19622/1-006	4	TUBE, STUFFING, STRAIGHT TYPE, SIZE 5 TUBE	MIL-S-19622/1	NYLON
YARD	31			00843	2	A-1008 CHNFSS		CRES
	30				REF	ORD ON REF 4		
YARD	29			29812	2	WT10-5/16N		LEAD
YARD	28				1	M19622/17-04		MIL-S-19622/17
	27				REF	ORD ON REF 5 OR 9		
	26				REF	ORD ON REF 5 OR 9		
YARD	25				1	M19622/1-002		MIL-S-19622/1
YARD	24				1	RECEPTACLE, SINGLE, WT, 15A-125/250 V GND-S/PH		MIL-R-2726/47
YARD	23				4	M19622/20-0010		MIL-S-19622/20
YARD	22				8	MS51922-17		STEEL
YARD	21			40337	35	4181-3118-S-2		STEEL
						(RAF ELECT HRDW)		
YARD	20				21	MS51922-9		STEEL
YARD	19				2	SHEET, .120 X 10" X 6"	ASTM A569	STEEL
YARD	18				6	MS24630-46		CRES
YARD	17				2	MS35307-336		CRES
YARD	16				2	TYPE III, GRADE 1		PLASTIC
YARD	15				2	MS24523-31		
YARD	14				AR	M24643/16-02UN		MIL-C-24643/16
	13				REF	ORD ON REF 2		
YARD	12				AR	M24643/15-02UN		MIL-C-24643/15
GFE	11				2	MS52149-1		
YARD	10				AR	M24643/15-07UN		MIL-C-24643/15
YARD	9			31211	2	MODEL 9-20		VARIOUS
*	8			31211	REF	HSA-3006P		VARIOUS
*	7			31211	REF	16-63		VARIOUS
YARD	6			31211	2	BRD-3025B		VARIOUS
YARD	5			31211	2	1744555A07		VARIOUS
YARD	4				AR	M24643/15-04UN		MIL-C-24643/15
*	3			31211	REF	16-61		VARIOUS
*	2			31211	REF	16-62		VARIOUS
YARD	1				AR	M24643/43-05UO		MIL-C-24643/43

UNLESS OTHERWISE SPECIFIED DIM/TOLERANCES ARE: IN. ONE PLACE (.X) ± .010 TWO PLACE (.XX) ± .005 THREE PLACE (.XXX) ± .002 ANGLES ± .005

THIRD ANGLE PROJECTION

DO NOT SCALE THIS DRAWING

FOR INTERPRETATION OF DRAWING 000-STD-100 APPLIES REMOVE BURRS AND BREAK SHARP EDGES SHARP EDGES — TO — FILLET RADIUS — TO —

DATE: 13 OCT 87

CHECKED BY: C.T. P200

DATE: 15 NOV 88

CONTRACT NO.

DESIGN APPROVAL

DATE: 13 OCT 87

APPROVED FOR PROCUREMENT

DATE

U.S. ARMY BELVOIR RESEARCH, DEVELOPMENT, AND ENGINEERING CENTER FORT BELVOIR, VIRGINIA 22060-5006

LCM-8, MOD I, POWER, LIGHTING AND IC SYSTEM

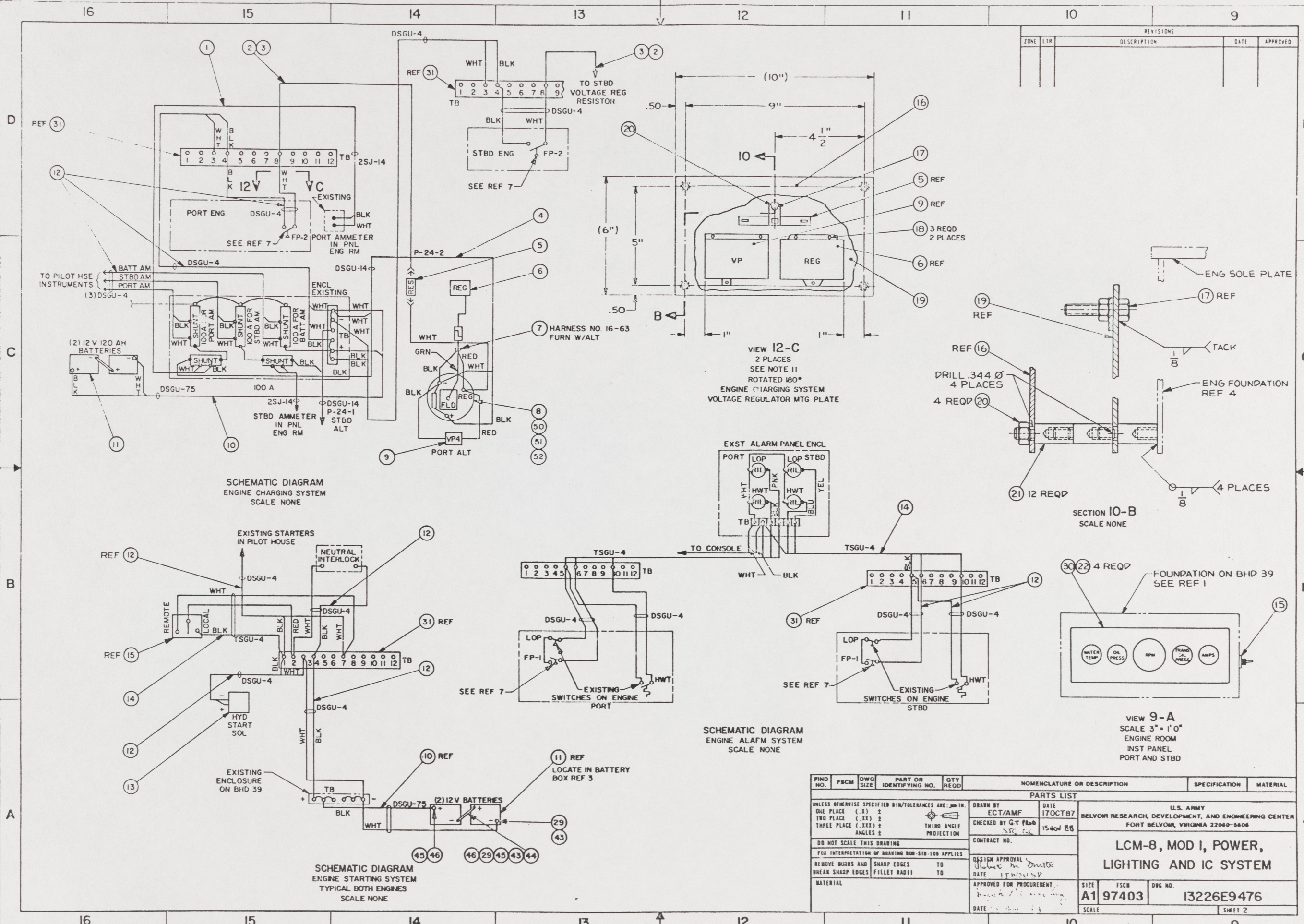
SIZE: A1 97403 FSC: 13226E9476 DWG NO. 13226E9476

SCALE: 6" = 1' 0"

SHEET 1 OF 5

A

95  
99



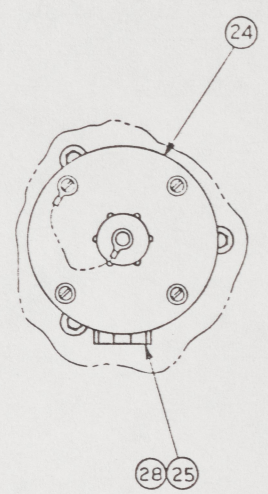
REVISIONS				
ZONE	LTN	DESCRIPTION	DATE	APPROVED

PIND NO.	FSCM	DWG SIZE	PARTY OR IDENTIFYING NO.	QTY REQD	NOMENCLATURE OR DESCRIPTION	SPECIFICATION	MATERIAL
UNLESS OTHERWISE SPECIFIED DIM/TOLERANCES ARE: .001 IN.					PARTS LIST		
ONE PLACE (.X) ±					DRAWN BY ECT/AMF		
TWO PLACE (.XX) ±					DATE 17OCT87		
THREE PLACE (.XXX) ±					CHECKED BY GT P20		
ANGLES ±					DATE 1540N 88		
THIRD ANGLE PROJECTION					CONTRACT NO.		
DO NOT SCALE THIS DRAWING					DESIGN APPROVAL		
FOR INTERPRETATION OF DRAWING BOB-STB-100 APPLIES					DATE 17OCT87		
REMOVE BURRS AND SHARP EDGES TO					APPROVED FOR PROCUREMENT		
BREAK SHARP EDGES FILLET RADIUS TO					DATE 17OCT87		
MATERIAL					DATE		
					SIZE	FSCM	DWG NO.
					A1	97403	13226E9476
					SCALE	SHEET 2	

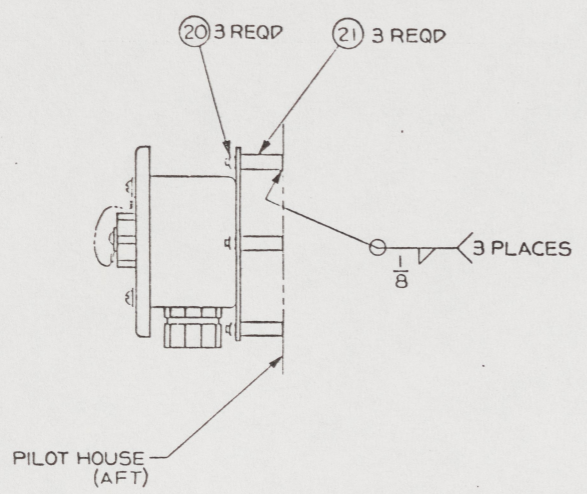
96  
100

24 23 22 21 20 19 18 17

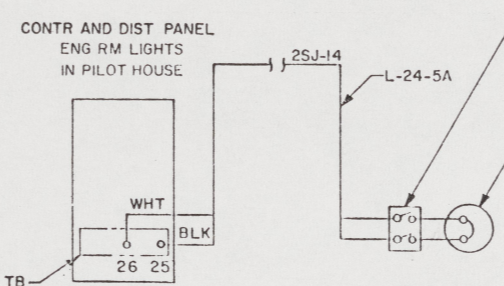
REVISIONS				
ZONE	LTR	DESCRIPTION	DATE	APPROVED
A		SEE ECP NO. 90HE3102	10 MAR 88	DAVIS
B		SEE ECP NO. 90HE3309 AND 90HE3310	18 JUN 88	DAVIS



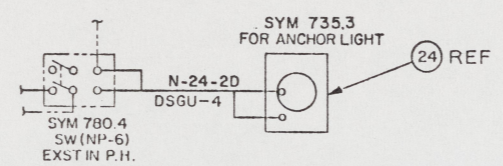
VIEW 23-C  
(7-B)  
SCALE NONE  
ROTATED 90° CCW  
RECEPTACLE ANCHOR LIGHT  
LOCATE ABOVE EXISTING RECEPTACLES



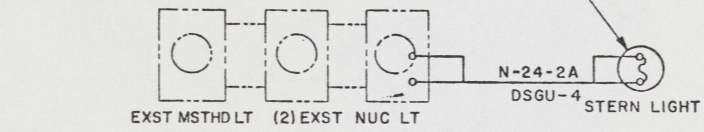
PILOT HOUSE (AFT)



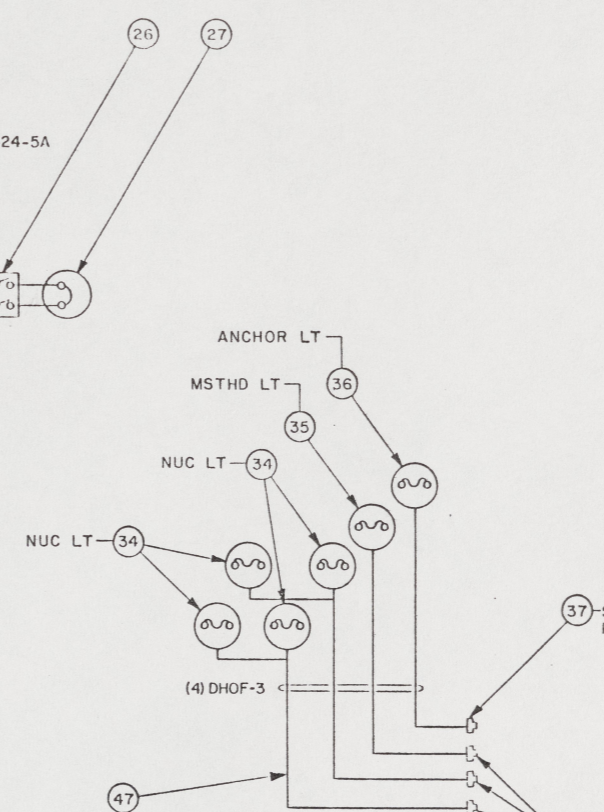
CONTR AND DIST PANEL  
ENG RM LIGHTS  
IN PILOT HOUSE



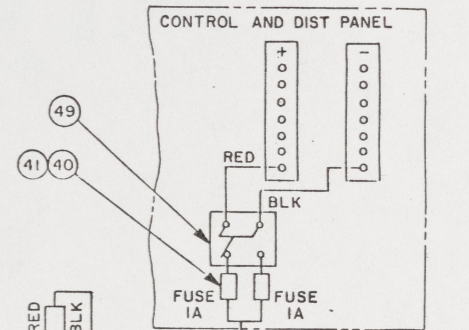
SYM 735.3  
FOR ANCHOR LIGHT



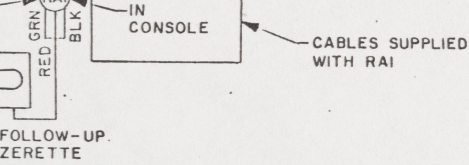
EXST MSHD LT (2) EXST NUC LT  
STERN LIGHT



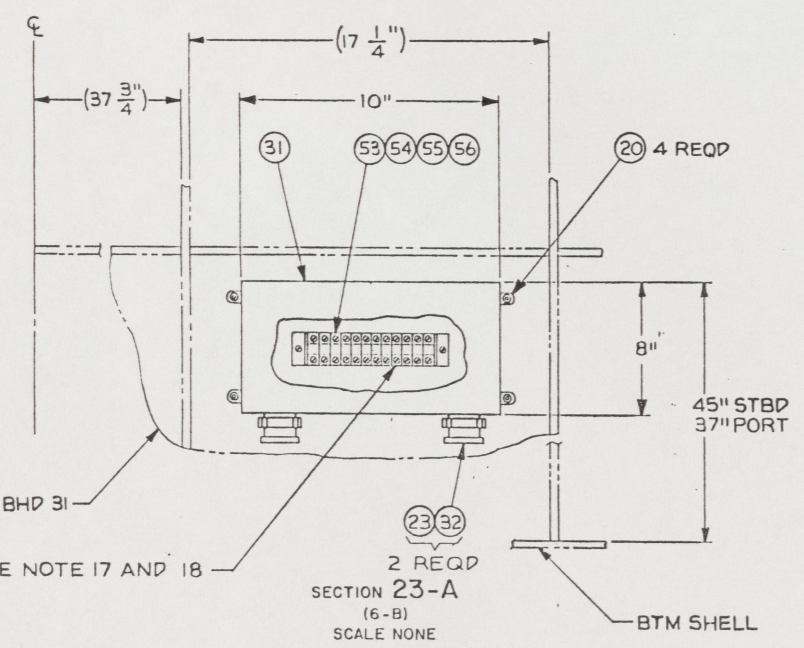
ANCHOR LT  
MSTHD LT  
NUC LT



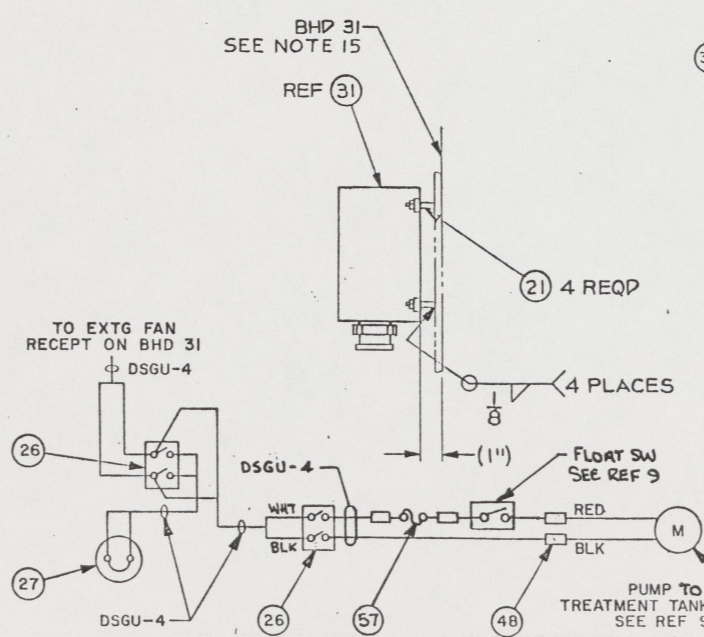
CONTROL AND DIST PANEL



RUDDER FOLLOW-UP  
IN LAZERETTE

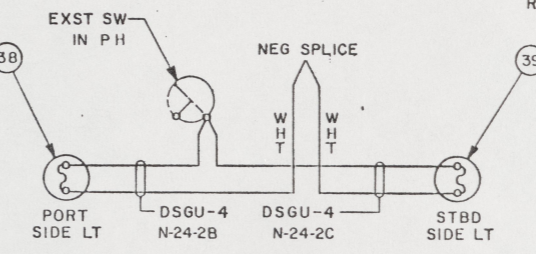


SECTION 23-A  
(6-B)  
SCALE NONE  
ROTATED 90° CCW  
JUNCTION BOX  
STBD SHOWN  
PORT OPPOSITE



TO EXTG FAN  
RECEPT ON BHD 31

SCHEMATIC DIAGRAM  
MARINE SANITATION DEVICE  
SCALE NONE



EXST SW  
IN PH

NEG SPLICE

PORT SIDE LT

STBD SIDE LT

SCHEMATIC DIAGRAM  
NAVIGATION SIDE LIGHTS  
SCALE NONE  
SEE REF 6

FIND NO.	FSCM	DWG SIZE	PART OR IDENTIFYING NO.	QTY REQD	NOMENCLATURE OR DESCRIPTION	SPECIFICATION	MATERIAL
PARTS LIST							
UNLESS OTHERWISE SPECIFIED DIM/TOLERANCES ARE: mm IN.				DRAWN BY ECT/AMF DATE 18 OCT 87			
ONE PLACE (.1)				CHECKED BY CT PROD DATE 15 NOV 88			
TWO PLACE (.XX)				THIRD ANGLE PROJECTION			
THREE PLACE (.XXX)				CONTRACT NO.			
ANGLES				DESIGN APPROVAL			
DO NOT SCALE THIS DRAWING				REMOVE BURRS AND BREAK SHARP EDGES TO DATE			
FOR INTERPRETATION OF DRAWING DOD-STD-100 APPLIES				APPROVED FOR PROCUREMENT DATE 15 NOV 88			
SIZE A1		FSCM 97403		DWG NO. 13226E9476		SHEET 3	

99  
101

24 23 22 21 20 19 18 17

32

31

30

29

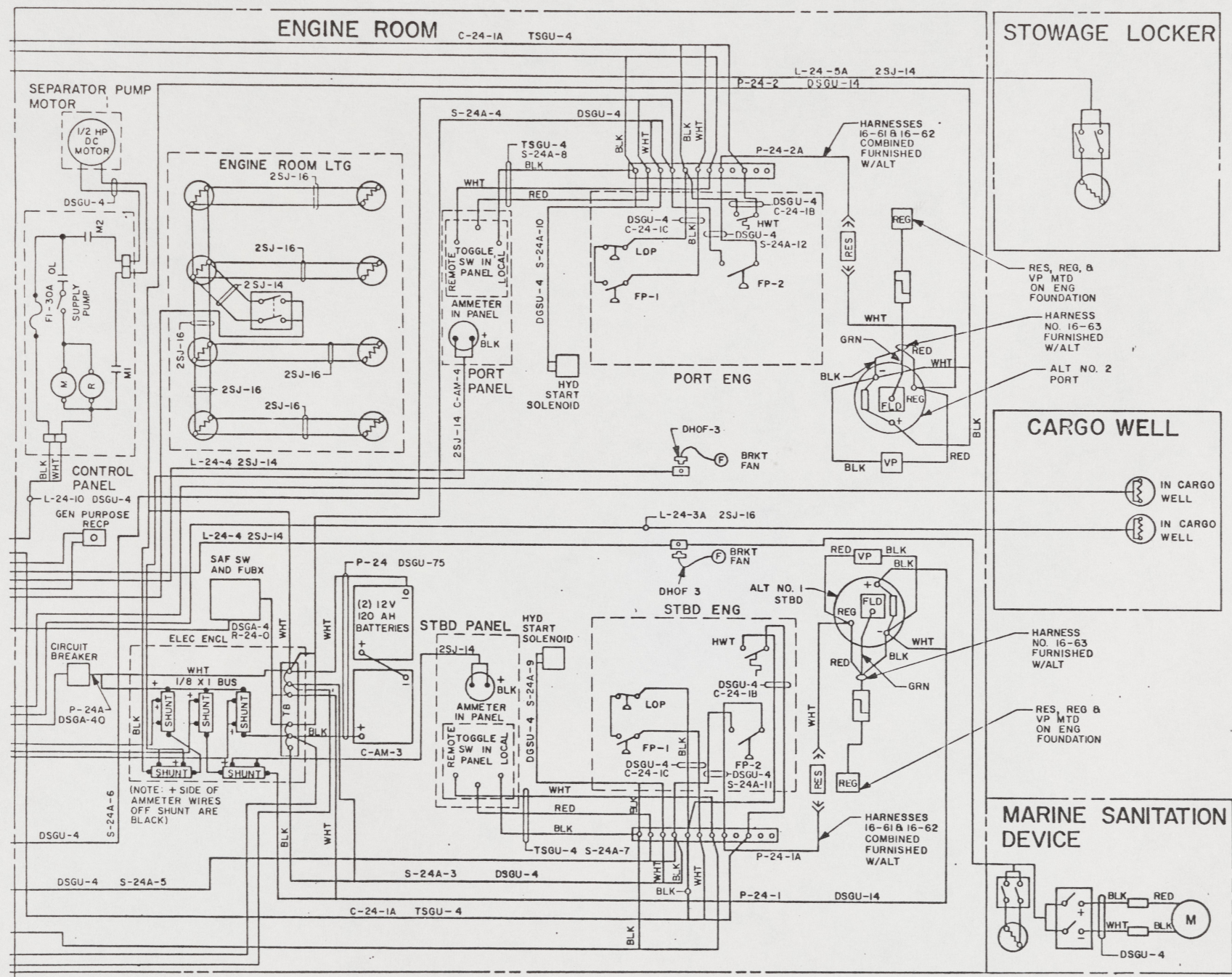
28

27

26

25

REVISIONS				
ZONE	LTR	DESCRIPTION	DATE	APPROVED
A		SEE ECP NO. 90HE3103	10/11/83	11/1/83



**LEGEND**

A	AMPS		
AM	AMMETER		
F	FUSE		
FLD	FIELD		
FP	FUEL PRESSURE		
FUBX	FUSE BOX		
GND DET	GROUND DETECTOR		
HWT	HIGH WATER TEMPERATURE		
HYD	HYDRAULIC		
ISLN	ISOLATING		
LOP	LOW OIL PRESSURE		
MSTHD	MASTHEAD		
NUC	NOT UNDER CONTROL		
R	RESISTOR		
RAI	RUDDER ANGLE INDICATOR		
REG	REGULATOR		
RES	RESISTOR		
RIL	RED INDICATOR LIGHT		
RMHS	REMOTE MAGNETIC HEADING SYSTEM		
SAF	SAFETY		
SW	SWITCH		
STBD	STARBOARD		
TB	TERMINAL BOARD		
VP	VOLTAGE PROTECTOR		
XFR	TRANSFER		
XMTR	TRANSMITTER		
	SWITCH, DOUBLE POLE		
	PUSH BUTTON SWITCH, SINGLE POLE		
	LIGHT		
	RECEPTACLE		
	ROTARY SWITCH		
	MOTOR		
	PRESSURE SWITCH		
	TEMPERATURE SWITCH		
	FUSE (NO INDICATES CIRCUIT)		
	FUSE		
	NAVIGATION LIGHT RECEPTACLE		

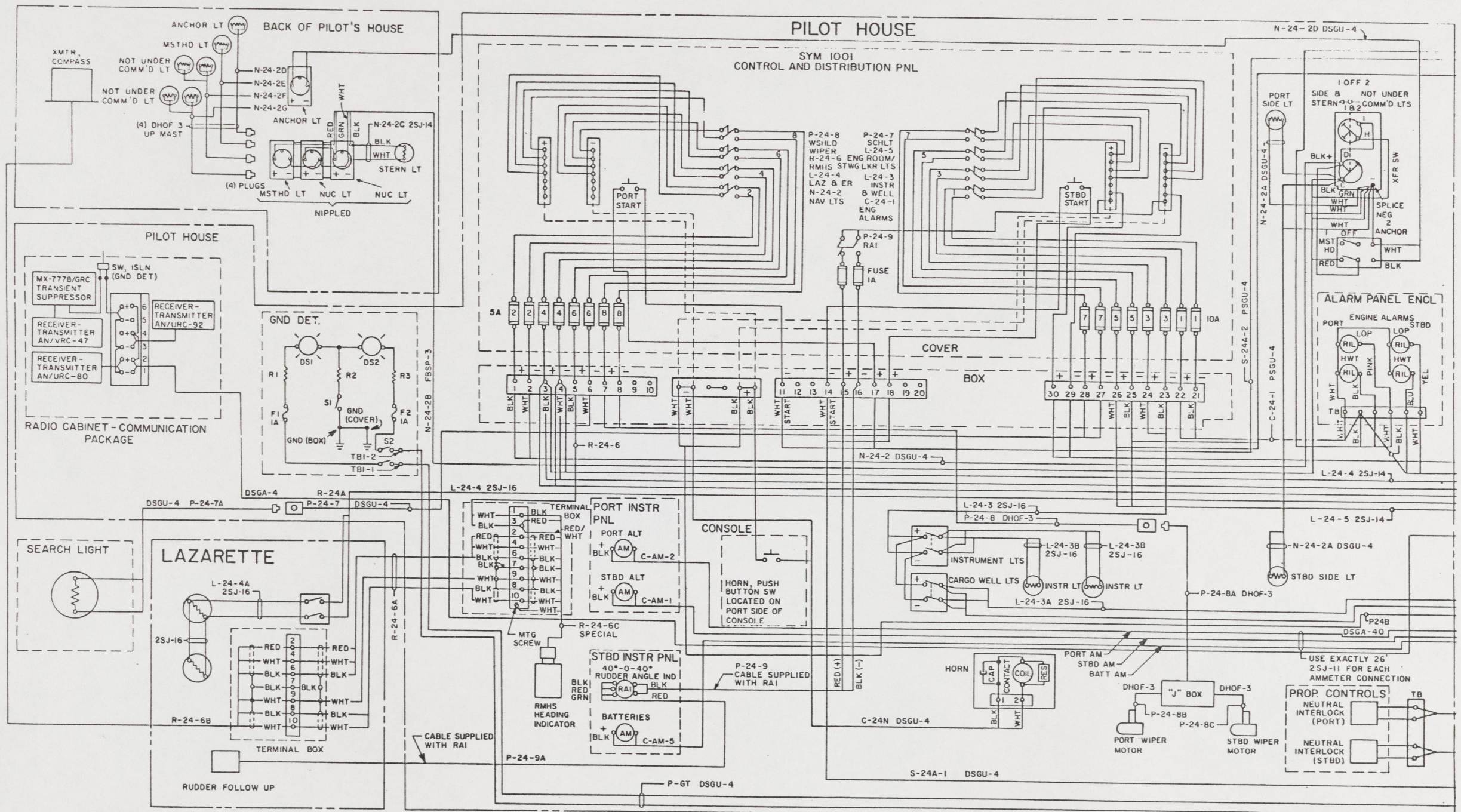
ELECTRICAL WIRING DIAGRAM

MATCHLINE M1 (33-A)

FIND NO.	FSCM	DWG SIZE	PART OR IDENTIFYING NO.	QTY REQD	NOMENCLATURE OR DESCRIPTION	SPECIFICATION	MATERIAL
PARTS LIST							
UNLESS OTHERWISE SPECIFIED DIM/TOLERANCES ARE: IN.					DRAWN BY RKK/JI DATE 9 NOV 87		
ONE PLACE (.X) ±					CHECKED BY CT PROD DATE 15 NOV 83		
TWO PLACE (.XX) ±					U.S. ARMY BELVOIR RESEARCH, DEVELOPMENT, AND ENGINEERING CENTER FORT BELVOIR, VIRGINIA 22060-5606		
THREE PLACE (.XXX) ±							
ANGLES ±					CONTRACT NO.		
DO NOT SCALE THIS DRAWING					DESIGN APPROVAL		
FOR INTERPRETATION OF DRAWING DDD-STD-100 APPLIES					DATE		
REMOVE BURRS AND BREAK SHARP EDGES					APPROVED FOR PROCUREMENT		
SHARP EDGES TO					DATE		
FILLET RADI TO					SIZE A1 FSCM 97403 DWG NO. 13226E9476		
MATERIAL					SCALE SHEET 4		

98  
102

REVISIONS				
ZONE	LTR	DESCRIPTION	DATE	APPROVED
A		SEE ECP NO. 90HE3103	20mms	RNS



A B C D

A B C D

99  
103

FIND NO.	FSCM	DWG SIZE	PART OR IDENTIFYING NO.	QTY REQD	NOMENCLATURE OR DESCRIPTION	SPECIFICATION	MATERIAL
<b>PARTS LIST</b>							
UNLESS OTHERWISE SPECIFIED DIM/TOLERANCES ARE: .001 IN.				DRAWN BY RKK/JI DATE 9 NOV 87			
ONE PLACE (.X) ±				CHECKED BY G.T. PARDON DATE 15 NOV 88			
TWO PLACE (.XX) ±				THIRD ANGLE PROJECTION			
THREE PLACE (.XXX) ±				DO NOT SCALE THIS DRAWING			
ANGLES ±				FOR INTERPRETATION OF DRAWING DOD-STD-100 APPLIES			
REMOVE BURRS AND BREAK SHARP EDGES				SHARP EDGES TO FILLET RADIUS TO			
MATERIAL				DESIGN APPROVAL DATE			
				APPROVED FOR PROCUREMENT DATE			
SIZE A1		FSCM 97403		DWG NO. 13226E9476		SHEET 5	