

8 7 6 5 4 3 2 1

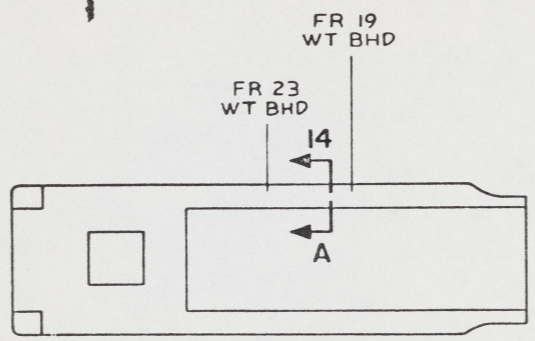
SHEETS			STATUS OF REVISIONS		
NO.	DATE	BY	DESCRIPTION	DATE	APPROVED
1			SEE ECP NO. 90HE3309 AND 90HE3310	18 JUN 84	[Signature]

REFERENCE DRAWINGS APPLICABLE TO HULL NUMBERS 8540 THRU 8560 AND 8580 THRU 8618		
NO.	DRAWING NO.	TITLE
1	803-2226372	GENERAL NOTES FOR STD HATCH PLANS
2	145-4510915	LCM B MOD 1 BOTTOM PLATING
3	145-4510913	LCM B MOD 1 LONGITUDINAL TRUSSES
4	145-4510921	LCM B MOD 1 DETAILS BULKHEAD AND TRANSOM
5	13226E9476	LCM B MOD 1 POWER, LIGHTING AND IC SYS
6	803-1624095	HATCH WT FLUSH INDIVIDUALLY DOGGED

REFERENCE DRAWINGS APPLICABLE TO HULL NUMBERS 8520 THRU 8539		
NO.	DRAWING NO.	TITLE
1	803-2226372	GENERAL NOTES FOR STD HATCH PLANS
2	145-2534201	LCM B MOD 1 BOTTOM PLATING
3	145-2534193	LCM B MOD 1 LONGITUDINAL TRUSSES
4	145-2534155	LCM B MOD 1 DETAILS BULKHEAD AND TRANSOM
5	13226E9476	LCM B MOD 1 POWER, LIGHTING AND IC SYS
6	803-1624095	HATCH WT FLUSH INDIVIDUALLY DOGGED

NOTES:

- THIS DRAWING HAS BEEN DEVELOPED FROM SHIPCHECK INFORMATION FOR ACCOMPLISHING THE INSTALLATION OF MODIFICATIONS TO THE WING DECK AND AREA BELOW, BETWEEN FRAMES 19 AND 23, TO PROVIDE A STOWAGE AREA ON LCM-B, MOD-1.
- ALL FABRICATION WELDING AND INSPECTION TO BE IN ACCORDANCE WITH NAVSEA 0900-LP-014-5010. WELD SIZES BASED ON USE OF AWS A5.1, CLASS E7018 ELECTRODES FOR LC STEEL TO LC STEEL.
- EQUIPMENT AND WORKMANSHIP SHALL BE IN ACCORDANCE WITH USCG AND ABS REGULATIONS.
- REPAIR ALL PAINT DAMAGED BY THIS INSTALLATION AND PAINT ALL NEW STEEL IN ACCORDANCE WITH U.S. ARMY TECHNICAL BULLETIN TB43-0144.
- MATERIAL ORDERED ON THIS DRAWING IS NOT INTENDED TO BE RESTRICTIVE. SUBSTITUTION OF EQUAL QUALITY MATERIAL MAY BE MADE EXCEPT FOR ITEMS MARKED GFE.
- SLIGHT DEVIATIONS FROM DIMENSIONS SHOWN ARE PERMISSIBLE TO SUIT ACTUAL CONDITIONS FOUND ABOARD INDIVIDUAL CRAFT.
- COMPONENTS SHOWN BY SOLID, HEAVY LINES ARE NEW AND ARE TO BE INSTALLED IN ACCORDANCE WITH THIS DRAWING. PHANTOM LINES INDICATE EXISTING COMPONENTS INSTALLED BY DRAWINGS REFERENCED AS NOTED.
- TREAT AND PAINT ALL WOOD IN ACCORDANCE WITH MIL-T-704.
- FLUSH HATCH, FIND NO. 9, SHALL HAVE STAINLESS STEEL DOGS AND SPINDLES TO ALLOW IT TO BE USED EXTERNALLY ON THE CRAFT. THIS ITEM SHALL BE IN ACCORDANCE WITH STANDARD NAVSEA DRAWING, 803-1624095, ASSY NO. 3.
- FILL IN EXISTING MANHOLE OPENING NOT REMOVED BY HATCH OPENING 30" X 36" USING FIND NO. 5.
- BRACE F4D AND DISC (PC NO. 9 AND 10 ON DW 803-1624095) TO BE LOCATED AT UPPER EDGE NEAR HINGE SIDE AS SHOWN IN VIEW 10-A.
- NOTCH GRATING, FIND NO. 16, TO FIT AROUND EXISTING GUSSETS. NOTCH (ONE PIECE) PLANKING, FIND NO. 11 AND SPLIT BAR, FIND NO. 18, TO CLEAR EXISTING CROSS STIFFENER AT BHD 19.
- REMOVE EXISTING 2" X 2" ANGLE CROSS BRACE, ATTACHED TO OUTB'D FACE OF GUSSETS, AND RELOCATE TO INB'D FACE OF GUSSETS.
- THE PIPE LEVER (WITH CLIPS) AND THE TEE WRENCH (WITH BRACKETS) ARE GFE SUPPLIED WITH HATCH, FIND NO. 9.
- LOCATE AND WELD IN PLACE THE DECK SOCKET AND END PLATE TO SUIT THE BRACE ROD ASSEMBLY. THESE ITEMS ARE GFE SUPPLIED WITH HATCH FIND NO. 9.
- REMOVE BOW ANCHOR LIGHT RECEPTACLE AND PULL BACK CABLE INTO PILOT HOUSE. DISCARD ELECTRICAL CABLE. REMOVE ALL STUFFING TUBES IN W.T BHD'S, FWD OF FR 23, FORMERLY USED FOR LIGHTING CABLE. WELD SHUT ALL HOLES AND GRIND FLUSH. REMOVE CABLE HANGER AND STUDS NO LONGER USED AND GRIND FLUSH.



VIEW 5-B
KEY VIEW
SCALE NONE

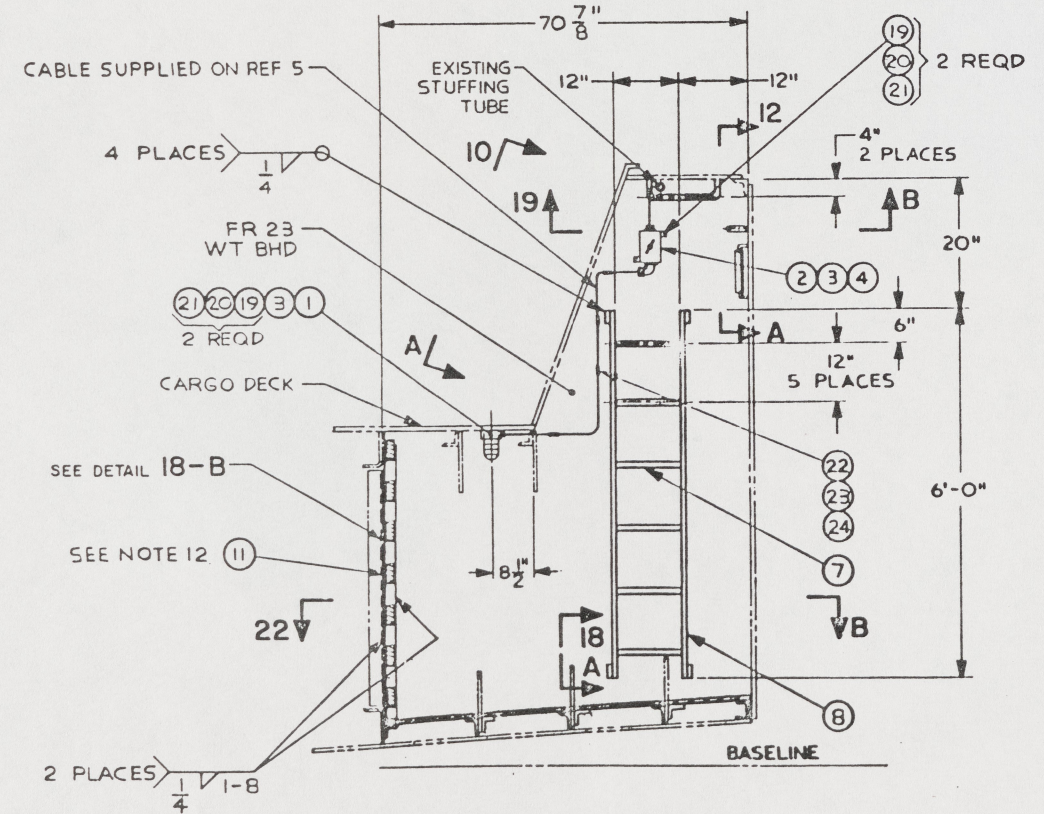
YARD	QTY	DESCRIPTION	UNIT	ASTM	MATERIAL
YARD 25		ANGLE, 1 1/2" X 2" X 1/4" X 8" L		ASTM A36	STEEL
YARD 24	85105	101-107-180	4		STEEL
YARD 23	85105	100-101-036	4		STEEL
YARD 22	85105	101-017-178	4		STEEL
YARD 21		M551922-9	4		STEEL
YARD 20	85105	100-101-035	4		STEEL
YARD 19	85105	101-017-105	4		STEEL
YARD 18		F.B., 1/4" X 2" X 53"	2	ASTM A36	STEEL
YARD 17		ANGLE, 2 1/2" X 2" X 1/4" X 6" L	2	ASTM A36	STEEL
YARD 16	65581	T-1800-1"	2		FRP
YARD 15		4' X 8' SHEET (AFC INC)			
YARD 14		SHEET, 120 STK	14	ASTM A569	STEEL
YARD 13		M551922-54	4		CRES
YARD 12		M536308-462	4		CRES
YARD 11		F.B., 1/2" X 2" X 6"	4	ASTM A36	STEEL
YARD 10		2" X 6" X 71" L, FINISHED ONE SIDE	7	M-L-751	PINE
YARD 9		ROUND BAR, 1" DIA	2	ASTM A36	STEEL
GFE 9		SEE NOTE 9	1		STEEL
YARD 8		30" X 36" WT FLUSH HATCH, 6 DOGS INDIVIDUAL, 5 PSI.			
YARD 7		HINGED LONG SIDE AND FWD (PORT SIDE) W/LOCKING DEVICE			
YARD 6		F.B., 1/4" X 2" X 6"	2	ASTM A36	STEEL
YARD 5		ROUND BAR, 1" DIA X 12" L	6	ASTM A36	STEEL
YARD 4		F.B., 1/4" X 3"	AR	ASTM A36	STEEL
YARD 3		PLATE, 3/16" THK	1	ASTM A36	STEEL
YARD 2		M19622/2-001	1		NYLON
YARD 1		M19622/3-001	2		NYLON
YARD 1	78011	1493N	1		BRASS
YARD 1	78011	LVJB10G	1		BRASS

THIS DRAWING APPLIES
TO HULL NUMBERS
8520 THROUGH 8560 AND
8580 THROUGH 8618 ONLY

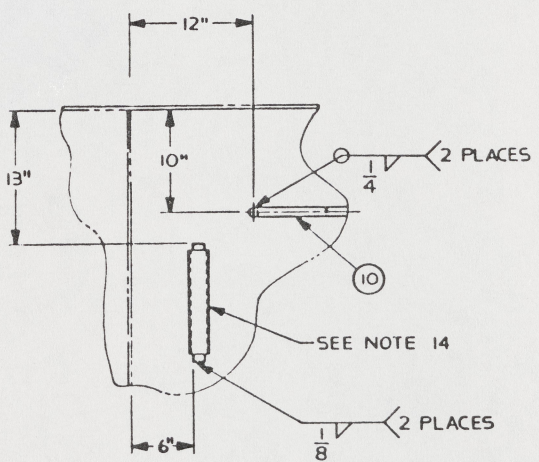
UNLESS OTHERWISE SPECIFIED DIM/TOLERANCES ARE: \pm .001 IN.		DRAWN BY EJR		DATE 18 OCT 84	
ONE PLACE ()	---	CHECKED BY CT PROD		DATE 15 NOV 84	
TWO PLACE ()	---	THIRD ANGLE PROJECTION		CONTRACT NO.	
THREE PLACE ()	---	DESIGN APPROVAL [Signature]		U.S. ARMY MOBILITY EQUIPMENT RESEARCH AND DEVELOPMENT COMMAND FORT BELVOIR, VIRGINIA 22060	
FOUR PLACE ()	---	DATE 17 NOV 84		<p align="center">LCM-8, MOD-1, STOWAGE LOCKER</p> <p>SIZE: A1 FSCM: 97403 ASSY NO: 13226E9459</p>	
FULLY DIM.	---	APPROVED FOR PROCUREMENT [Signature]			
DO NOT SCALE THIS DRAWING FOR INTERPRETATION OF DIMENSIONS SEE STD 100 APPLIES		DATE 15 NOV 84		SCALE AS NOTED	
REMOVE EDGES AND BREAK SHARP EDGES	---	DATE 15 NOV 84		SHEET 1 OF 3	
SHARP EDGES	---				
FULLY DIM.	---				
MATERIAL	---				

8 7 6 5 4 3 2 1

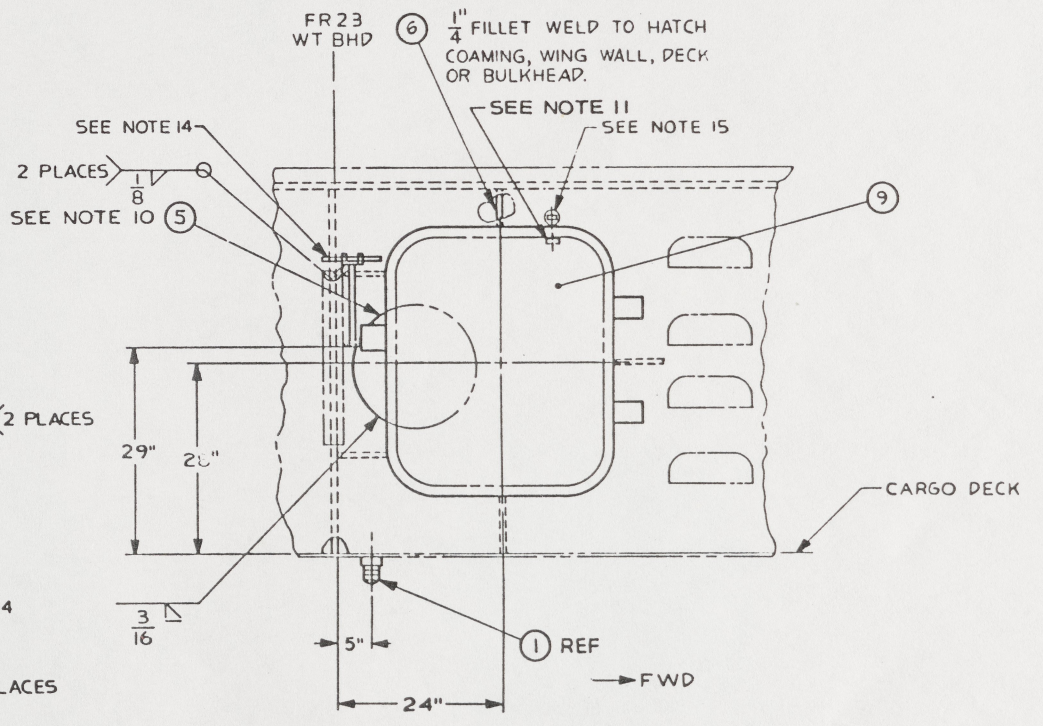
REV	BY	DESCRIPTION	DATE	APPROVED
A		SEE ECP NO. 90HE3309 AND 90HE3310	18 JUL 90	RMS



SECTION 14-A
(5-C)
PORT SIDE LOOKING AFT
SCALE NONE
ROTATED 90° CW



VIEW 12-A
SCALE 1/2"=1'-0"

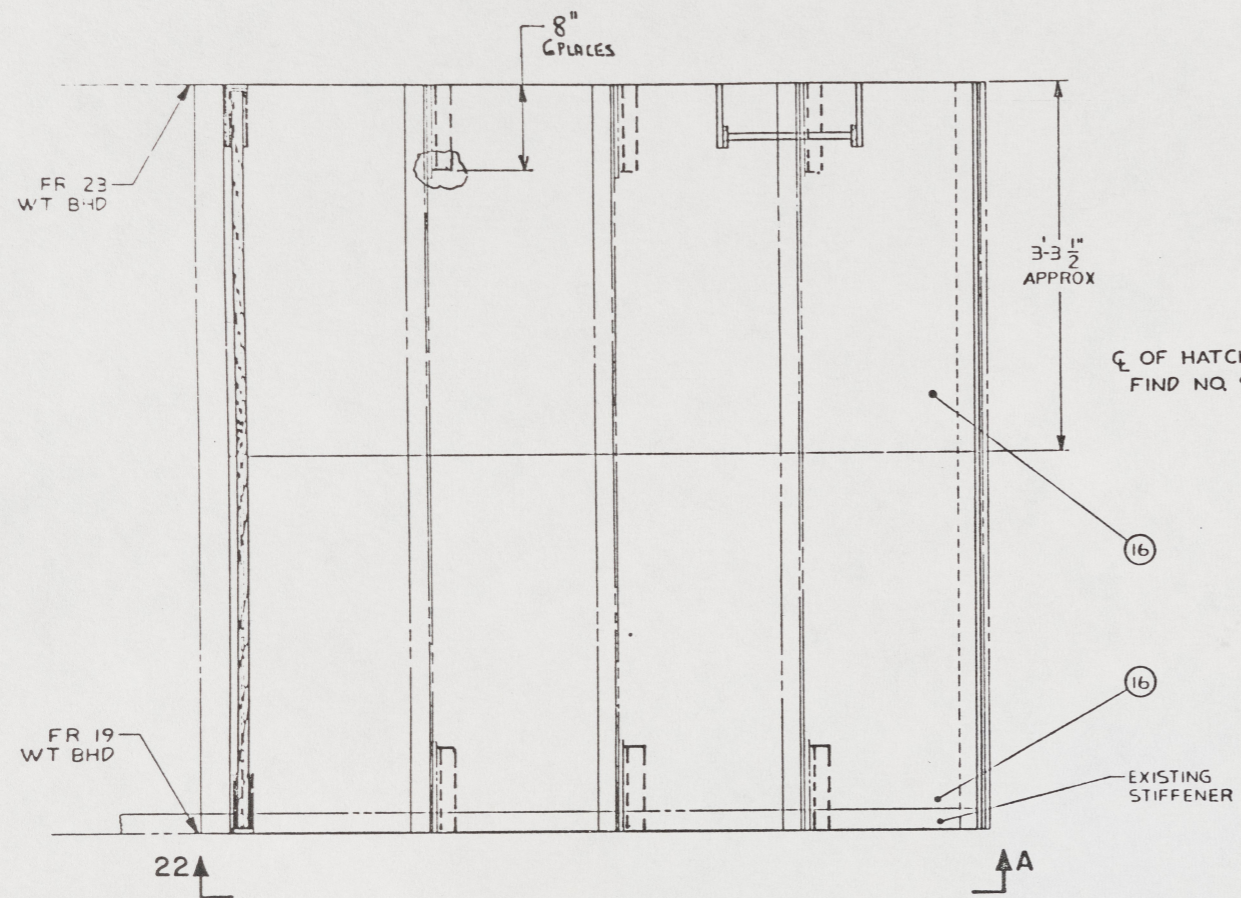


VIEW 10-A
STOWAGE HATCH
LOOKING OUTBOARD TO PORT
SCALE NONE
ROTATED 20° CCW

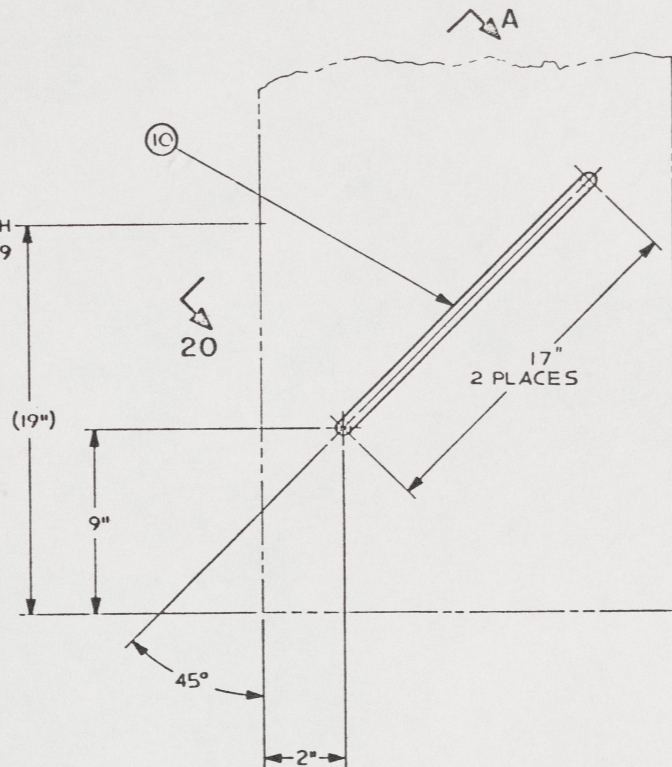
UNLESS OTHERWISE SPECIFIED DIM/TOLERANCES ARE IN IN.		DESIGNED BY EJR	DATE 16 OCT 84	U.S. ARMY MOBILITY EQUIPMENT RESEARCH AND DEVELOPMENT COMMAND FORT BELVOIR, VIRGINIA 22060	
ONE PLACE (1X) 2	TWO PLACE (2X) 2	CHECKED BY C.T. PLOD	DATE 15 NOV 87	LCM-8, MOD-1, STOWAGE LOCKER	
THREE PLACE (3X) 2	FOUR PLACE (4X) 2	CONTRACT NO.			
DO NOT SCALE THIS DRAWING	FOR INTERPRETATION OF DIMENSIONS GO TO 100 APPLIES	DESIGN APPROVAL <i>[Signature]</i>	DATE 15 NOV 87	SIZE A1	FSCH 97403
REMOVE DIMS AND DETAIL SHARP EDGES	SHARP EDGES TO	APPROVED FOR PROCUREMENT <i>[Signature]</i>	DATE 15 NOV 87	DWG NO. 13226E9459	SHEET 2
FILLET RADIUS TO	MATERIAL				

37

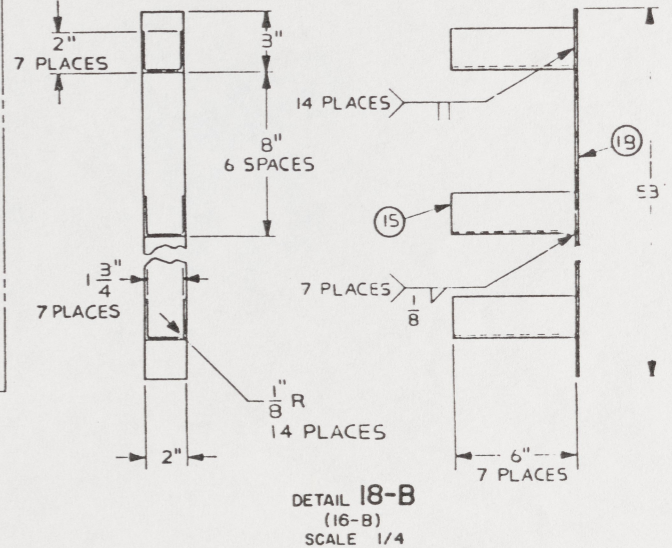
REVISIONS			
NO.	DATE	DESCRIPTION	BY
A	18 JUN 60	SEE ECP NO. 90HE3309 AND 90HE3310	RMS



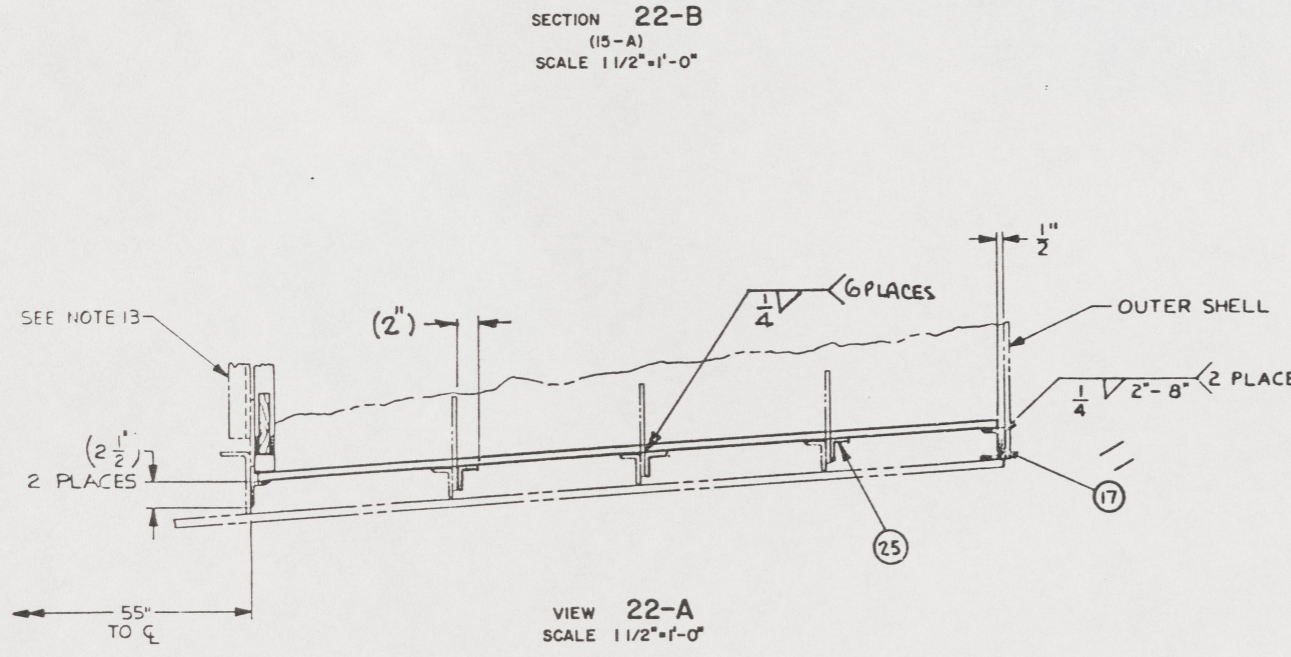
SECTION 22-B
(15-A)
SCALE 1 1/2"=1'-0"



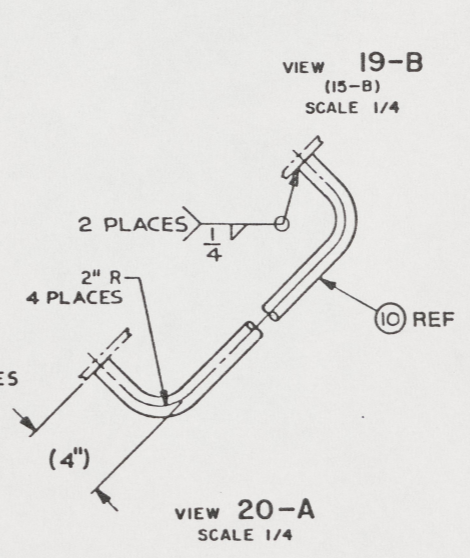
VIEW 20-A
SCALE 1/4



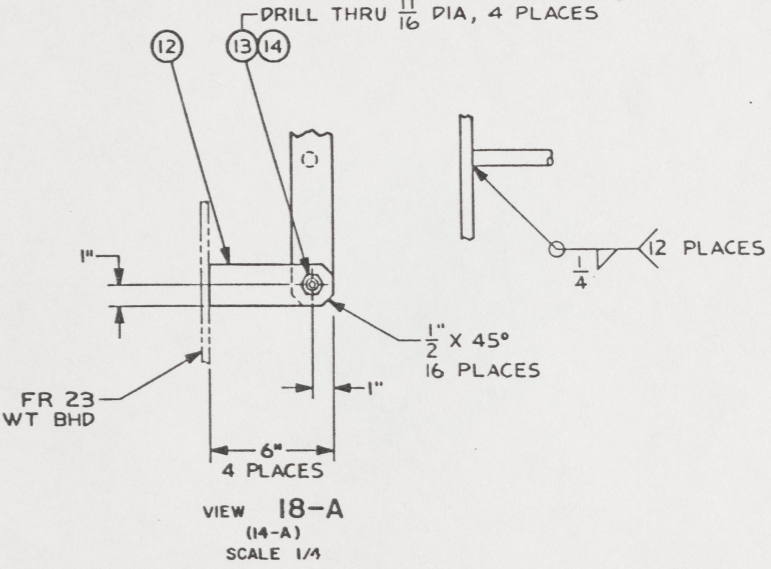
DETAIL 18-B
(16-B)
SCALE 1/4



VIEW 22-A
SCALE 1 1/2"=1'-0"



VIEW 19-B
(15-B)
SCALE 1/4



VIEW 18-A
(14-A)
SCALE 1/4

UNLESS OTHERWISE SPECIFIED DIM/TOLERANCES ARE: IN.		DRAWN BY: CYN		DATE: 25 JAN 65		U.S. ARMY MOBILITY EQUIPMENT RESEARCH AND DEVELOPMENT COMMAND, FORT BELVOIR, VIRGINIA 22060	
0.005 (1/20)	0.010 (1/10)	0.015 (3/160)	0.030 (1/32)	0.060 (1/16)	0.125 (1/8)	LCM-8, MOD-1, STOWAGE LOCKER	
DO NOT SCALE THIS DRAWING FOR INTERPRETATION OF DIMENSIONS SEE STD 100 APPLIES		CHECKED BY: G.T. PLOD		DATE: 15 MAR 65		SIZE: A1	
REMOVE BURRS AND BREAK SHARP EDGES		DESIGN APPROVAL: <i>John H. Spivey</i>		APPROVED FOR PROCUREMENT: <i>John H. Spivey</i>		FSCN: 97403	
SHARP EDGES TO		DATE: 25 JAN 65		DATE: 25 JAN 65		DOW NO: 13226E9459	
FILLET RADIUS TO		MATERIAL:		SCALE:		SHEET 3	

38