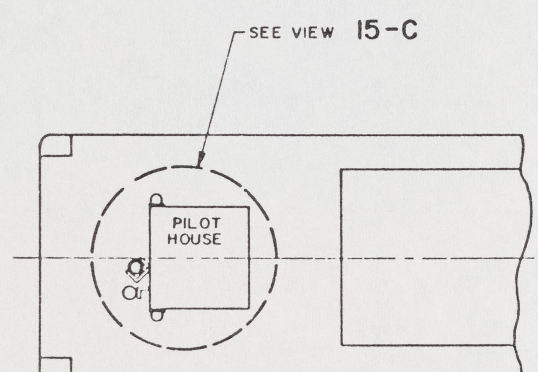


NOTES:

- ALL FABRICATION WELDING AND INSPECTION TO BE IN ACCORDANCE WITH NAJSEA 0960-LP-014-5010.
- TEMPLATE ALL WORK FROM LCM-8 AND EQUIPMENT.
- EQUIPMENT AND WORKMANSHIP SHALL BE IN ACCORDANCE WITH USCG, AND ABS REGULATIONS.
- REPAIR ALL PAINT DAMAGED BY THIS INSTALLATION AND PAINT ALL NEW STEEL IN ACCORDANCE WITH U.S. ARMY TECHNICAL BULLETIN T843-0144.
- MATERIAL ORDERED ON THIS DRAWING IS NOT INTENDED TO BE RESTRICTIVE. SUBSTITUTION OF EQUAL QUALITY MATERIAL MAY BE MADE EXCEPT ITEMS MARKED GFE.
- SLIGHT DEVIATIONS FROM DIMENSIONS SHOWN ARE PERMISSIBLE TO SUIT ACTUAL CONDITIONS FOUND ABOARD THE VESSEL.
- COMPONENTS SHOWN BY SOLID, HEAVY LINES ARE NEW AND ARE TO BE INSTALLED IN ACCORDANCE WITH THIS DRAWING. PHANTOM LINES INDICATE EXISTING COMPONENTS INSTALLED BY DRAWINGS REFERENCED AS NOTED.
- PROJECTING CORNERS AND EDGES TO BE WELL ROUNDED OR PADDED TO PROTECT PERSONNEL.
- FIND NO. 5 AND 8 SHALL BE BOUGHT WITH LOCKING RING, NO. 8-3514-011.
- PROVIDE 2 HOLES IN FIND NO. 17, 18 AND 19. 1/8" DIAMETER, TEMPLATE FROM BRACKET, PART OF FIND NO. 1 THRU 4.
- SECURE ELECTRICAL CABLE TO MAST SECTIONS WITH CABLE TIES, FIP: NO. 28.
- EXISTING LIGHT MOUNTING PLATFORMS MAY VARY BY 90° TO THRU 180° DOWN ON THIS DRAWING. ADDED PLATFORMS SHALL BE POSITIONED OPPOSITE TO EXISTING PLATFORMS.
- FIND NO. 23 SHALL BE AS FOLLOWS:  
TOGGLE PIN, 1/4" DIA X 4" GRIP, CRES. WITH BRASS FLAT TOGGLE.  
CRES S HOOK AND CHAIN ASSY 8" LONG AND ALUMINUM CLIP EYE.  
OBTAIN FROM RAILWAY SPECIALTIES CORP.
- SOCKET AND PIN, FIND NO. 20 THRU 23, ARE NECESSARY ONLY WHERE THE RMHS BRACKET ABOVE THE PILOT HOUSE HAS NOT BEEN MODIFIED. BOAT CHECK TO SEE IF THE CENTER EXTENSION CLEARS WHEN LOCATED IN THE EXISTING SOCKET BEFORE MAKING THIS CHANGE. IF SOCKET IS TO BE REVISED, REMOVE EXISTING SOCKET.
- CABLE PENETRATION INTO LIGHTS, FIND NO. 1 THRU 5 AND 8, TO BE MADE WATERPROOF, USING A SUITABLE SEALING COMPOUND.

REFERENCE DRAWINGS APPLICABLE TO HULL NUMBERS 8540 THRU 8560 AND 8580 THRU 8618		
NO.	DRAWING NO.	TITLE
1	13222E2581	MAIN MAST, DETAILS & ARRANGEMENT
2	145-4510932	PILOT HOUSE, DETAILS & ARRANGEMENT
3	302-4510953	POWER, LIGHTING, I.C. SYSTEM SCHEM
4	125-4510928	MAST DETAILS
5	125-4510927	MAST ARRANGEMENT

REFERENCE DRAWINGS APPLICABLE TO HULL NUMBERS 8520 THRU 8539		
NO.	DRAWING NO.	TITLE
1	13222E2581	MAIN MAST, DETAILS & ARRANGEMENT
2	145-2534234	PILOT HOUSE, DETAILS & ARRANGEMENT
3	302-2534232	POWER, LIGHTING, I.C. SYSTEM SCHEM
4	125-2534240	MAST DETAILS
5	125-2534239	MAST ARRANGEMENT

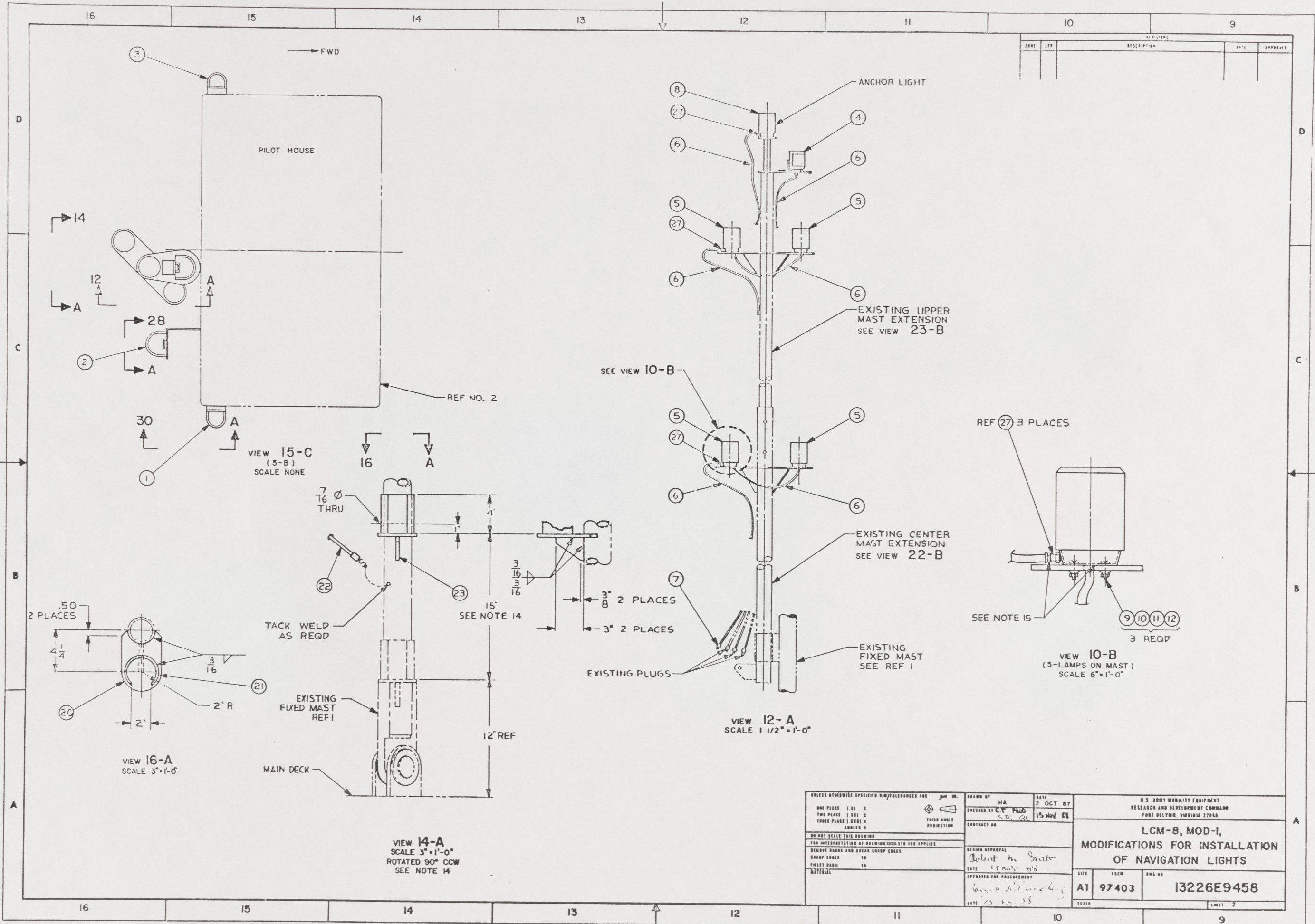


KEY VIEW 5-B  
SCALE NONE

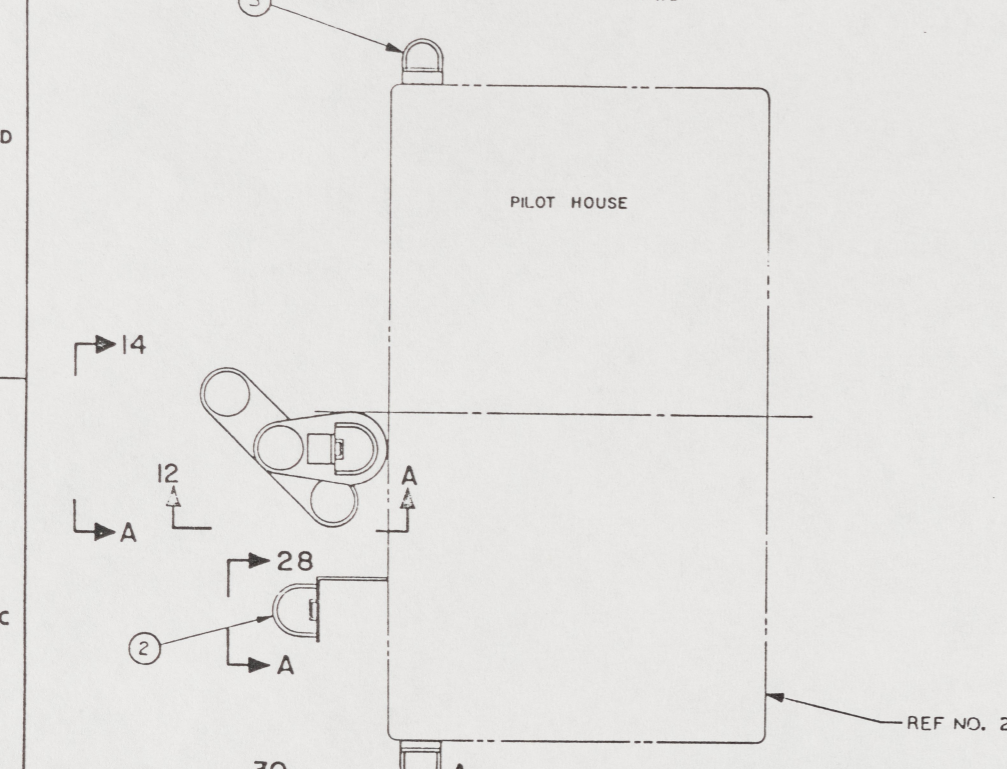
YARD	NO.	QTY	DESCRIPTION	UNIT	COMPL	MATERIAL
YARD	28	56501	TY 524HX	AR		CABLE TIE, .140" WIDE X 5.50" L (THOMAS AND BETTS)
YARD	27	61204	R 3514-002	3		SIDE CABLE OUTLET (AQUA SIGNAL)
YARD	26		H18C510	2		SHEET, 1/8" X 3" X 3"
YARD	25		MS51922-2	6		NUT, SLFLKG, GEN PURPOSE, 1/4-20 UNC-2B
YARD	24		MS35307-306	6		SCREW, CAP, HEX HD, 1/4-20 UNC-2A X 3/4" L
YARD	23		6061-T6	1		PLATE, 1/4" X 2 1/4 X 2 1/2
YARD	22	86700	SEE NOTE 13	1		TOGGLE PIN (RAILWAY)
YARD	21		6061-T6	1		PIPE, 3" SCHED 40 X 4" L
YARD	20		6061-T6	1		PLATE, 1/4" X 4" X 6 1/4"
YARD	19		6061-T6	1		SHEET, 3/16" X 2" X 4 1/2"
YARD	18			1		PLATE, 1/4" X 6" X 10"
YARD	17			2		SHEET, .135 X 3" X 5 1/2"
YARD	16		6061-T6	1		PLATE, 1/4" THK X 3 3/4" X 3 3/4"
YARD	15		6061-T6	3		PLATE, 1/4" X 5" X 5"
YARD	14		6061-T6	3		PLATE, 1/4" X 10" X 6"
YARD	13		6061-T6	1		PIPE, 3/4", SCHED 40, X 6 3/4" LONG
YARD	12		MS35640-284	23		NUT, HEX, .164-32 UNC-2B
YARD	11		MS35338-137	23		WASHER, LOCK-SPRING, NO. 8 NOM SIZE
YARD	10		MS15795-807	23		WASHER, FLAT, .188 ID X .375 OD
YARD	9		MS51957-47	23		SCREW, MACH, PAN HD, .164-32 UNC-2A X 3/4" LG
GFE	8	61204	33506-033	1		LIGHT, 360°, WHITE, WITH 24V BULB (AQUA SIGNAL)
YARD	7		PT NQW2726/50-001	1		RECEPTACLE, PLUG, ELECTRICAL, 15A, 125/250V
YARD	6		DHOF-3	AR		CABLE, 2 COND, 16 AWG, 600V
GFE	5	61204	33506-233	4		LIGHT, 360°, RED, WITH 24V BULB (AQUA SIGNAL)
GFE	4	61204	33501-003	1		MASTHEAD LIGHT, WITH 24V BULB (AQUA SIGNAL)
GFE	3	61204	33504-203	1		PORT LIGHT, WITH 24V BULB (AQUA SIGNAL)
GFE	2	61204	33502-003	1		STERN LIGHT, WITH 24V BULB (AQUA SIGNAL)
GFE	1	61204	33505-103	1		STARBOARD LIGHT, WITH 24V BULB (AQUA SIGNAL)

THIS DRAWING APPLIES  
TO HULL NUMBERS  
8520 THROUGH 8560 AND  
8580 THROUGH 8618 ONLY

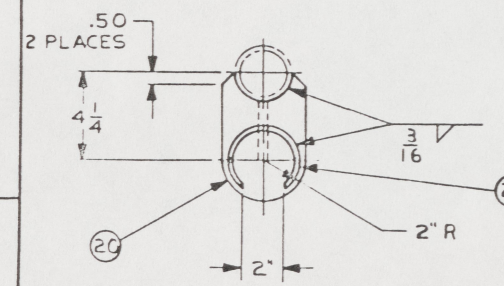
UNLESS OTHERWISE SPECIFIED DIM/TOLERANCES ARE: $\pm .01$ IN		DRAWN BY: HA	DATE: 2 OCT 87
ONE PLACE (1.0) ±	—	CHECKED BY: ZT P. 155	15 NOV 89
TWO PLACE (1.00) ±	—	SIC (2)	
THREE PLACE (1.000) ±	—	CONTRACT NO:	
FOUR PLACE (1.0000) ±	—		
DO NOT SCALE THIS DRAWING		DESIGN APPROVAL:	
FOR INTERPRETATION OF DIMENSIONS SEE 100 APPLIES		DATE: 15 NOV 87	
REMOVE BORDERS AND BREAK SHARP EDGES	— TO —	APPROVED FOR PURCHASE:	
SHARP EDGES	— TO —	DATE: 15 NOV 87	
FILLET RADIUS	— TO —		
MATERIAL	— TO —		
U.S. ARMY MOBILITY EQUIPMENT RESEARCH AND DEVELOPMENT COMMAND FORT BELVOIR, VIRGINIA 22060		LCM-8, MOD-1, MODIFICATIONS FOR INSTALLATION OF NAVIGATION LIGHTS	
SIZE: A1	FSCM: 97403	SKU NO: 13226E9458	
SCALE: AS NOTED		SHEET 1 OF 4	



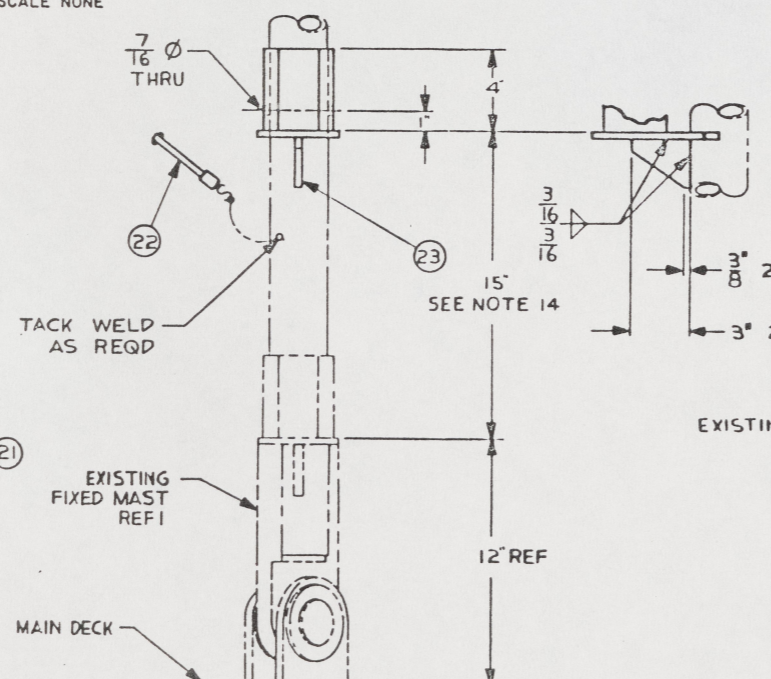
REVISIONS				
ZONE	LTB	DESCRIPTION	DATE	APPROVED



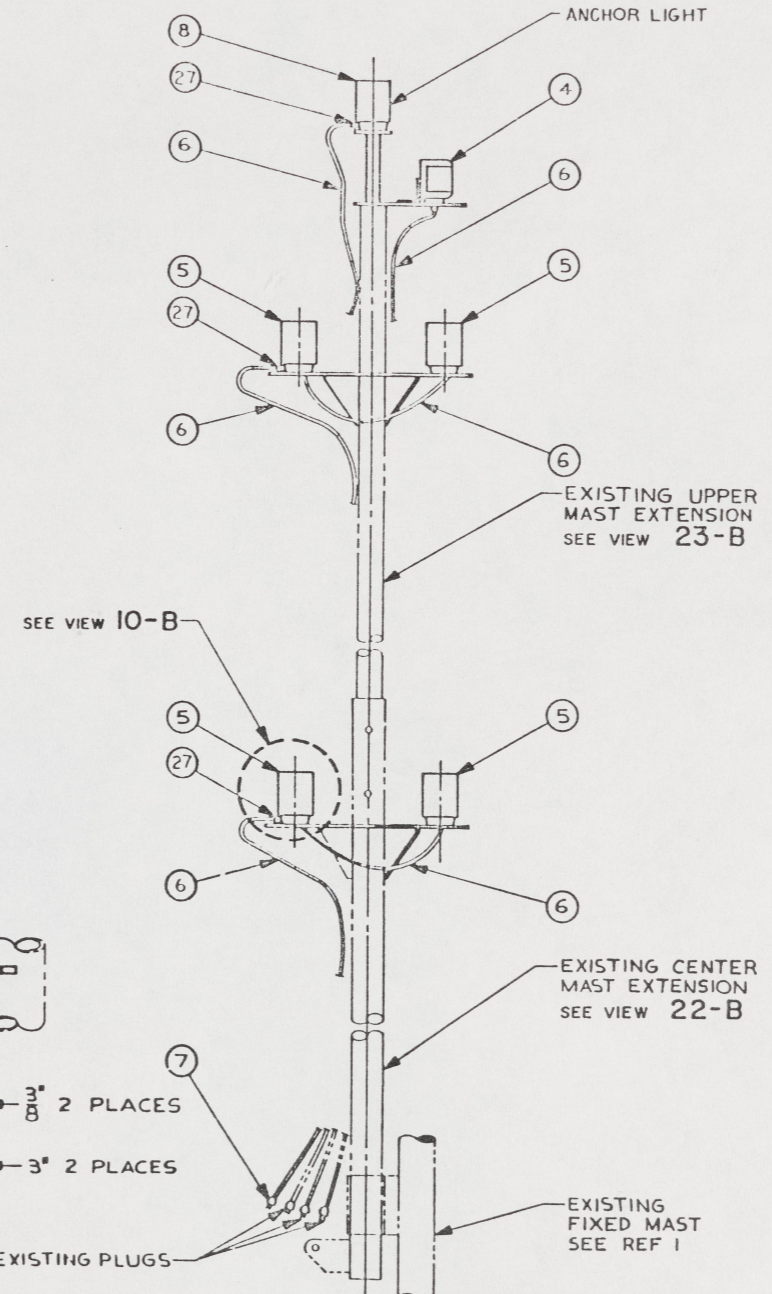
VIEW 15-C  
(5-B)  
SCALE NONE



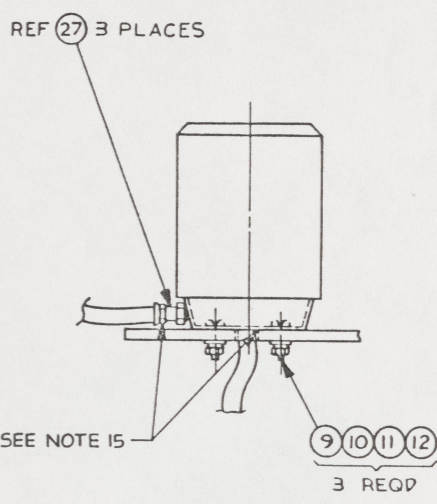
VIEW 16-A  
SCALE 3"=1'-0"



VIEW 14-A  
SCALE 3"=1'-0"  
ROTATED 90° CCW  
SEE NOTE 14



VIEW 12-A  
SCALE 1 1/2"=1'-0"

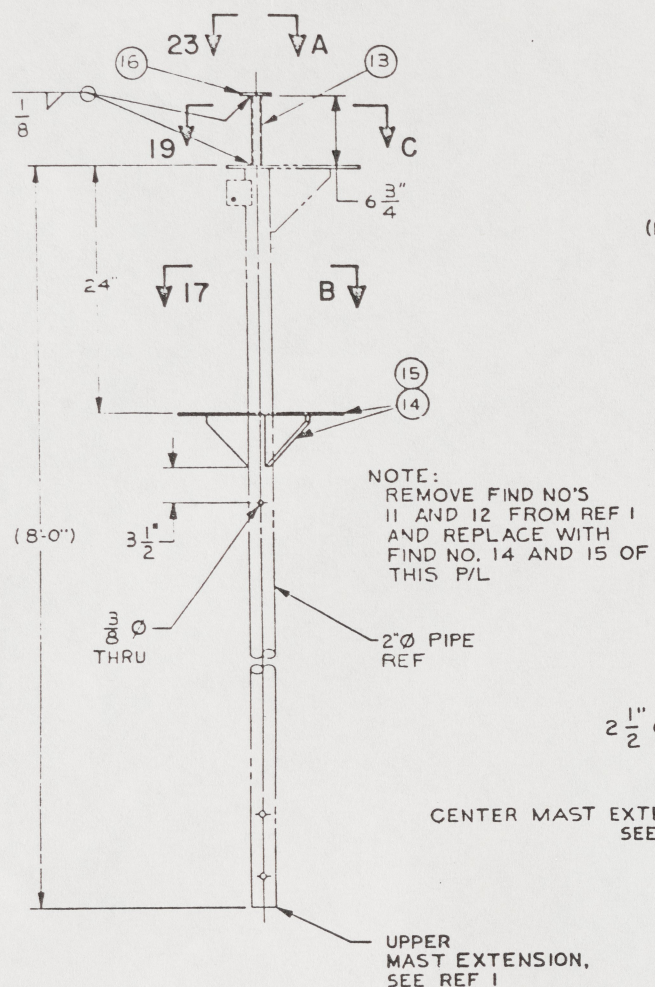


VIEW 10-B  
(5-LAMPS ON MAST)  
SCALE 6"=1'-0"

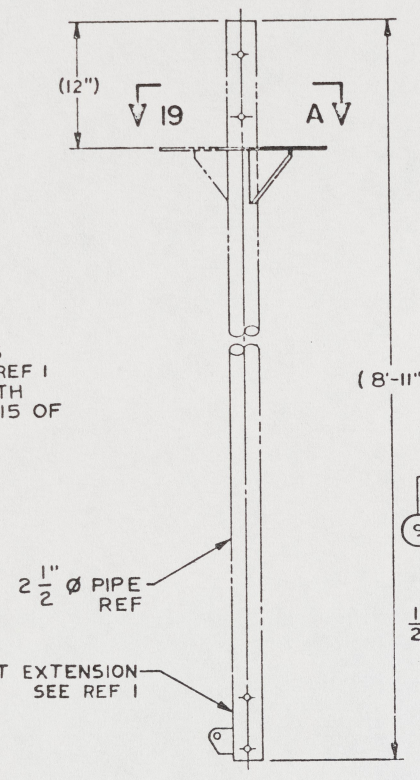
UNLESS OTHERWISE SPECIFIED DIM/TOLERANCES ARE:		DRAWN BY: HA	DATE: 2 OCT 67	U.S. ARMY MOBILITY EQUIPMENT RESEARCH AND DEVELOPMENT COMMAND FORT BELVOIR, VIRGINIA 22060	
ONE PLACE (±) .1	TWO PLACE (±) .01	CHECKED BY: S.T.C. G.C.	DATE: 15 NOV 68	LCM-8, MOD-1, MODIFICATIONS FOR INSTALLATION OF NAVIGATION LIGHTS	
THREE PLACE (±) .001	ANGLES .1	THIRD ANGLE PROJECTION	CONTRACT NO:		
DO NOT SCALE THIS DRAWING FOR INTERPRETATION OF DIMENSIONS GO TO 100 APPLIES REMOVE DRAGS AND SURE SHARP EDGES SHARP EDGES TO FILED BASH TO MATERIAL		DESIGN APPROVAL: Robert M. Smith	DATE: 15 NOV 68	SIZE: A1	FSCN: 97403
		APPROVED FOR PRODUCTION: [Signature]	DATE: 15 NOV 68	QML NO: 13226E9458	SHEET: 2

33

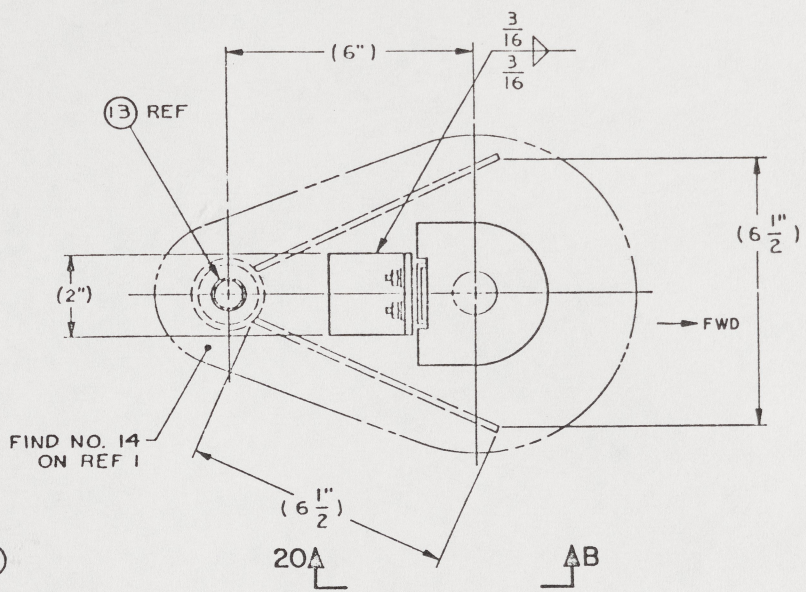
REVISIONS			DATE	APPROVED
ZONE	LTB	DESCRIPTION		



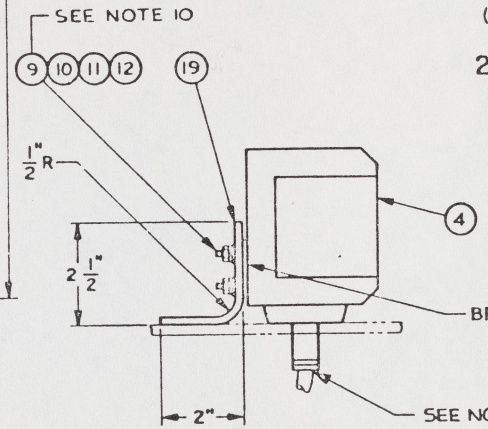
VIEW 23-B  
(II-C)  
SCALE 1 1/2" = 1'-0"



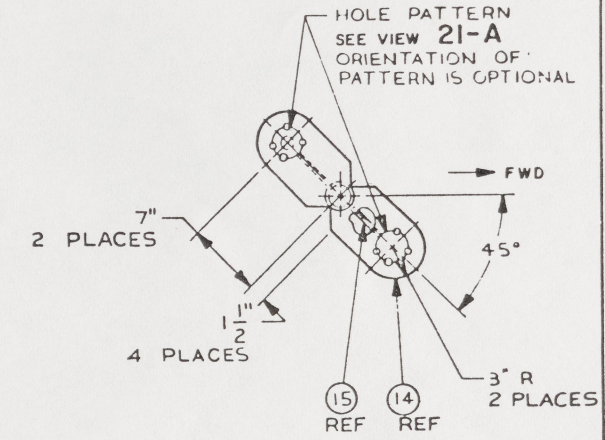
VIEW 22-B  
(II-B)  
SCALE 1 1/2" = 1'-0"



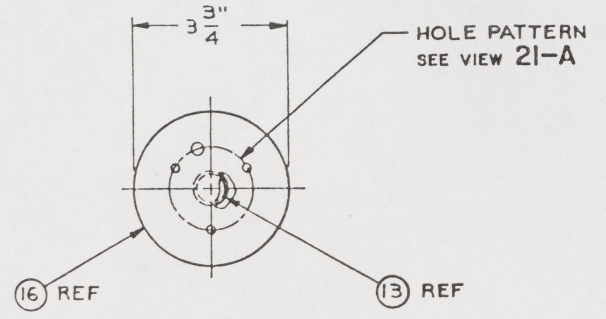
SECTION 19-C  
SCALE 6" = 1'-0"



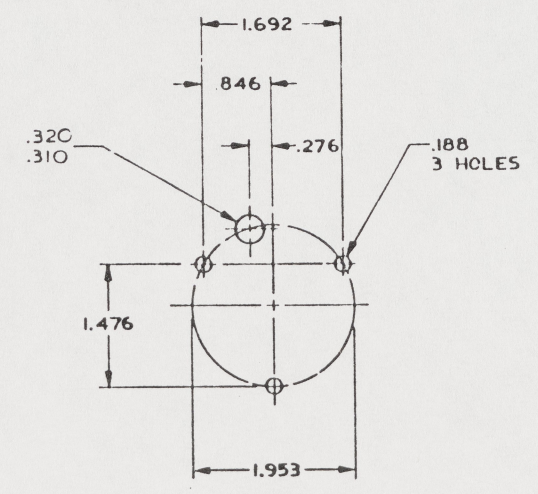
VIEW 20-B  
SCALE 6" = 1'-0"



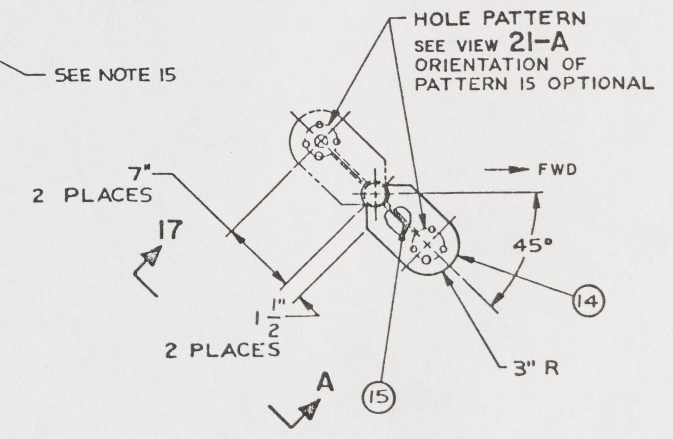
VIEW 17-B  
SCALE 1 1/2" = 1'-0"  
SEE NOTE 12



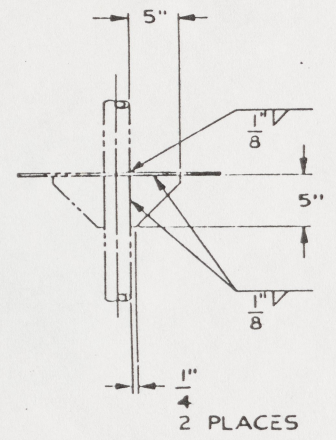
VIEW 23-A  
SCALE 6" = 1'-0"



VIEW 21-A  
SCALE 1/1  
5 PLACES



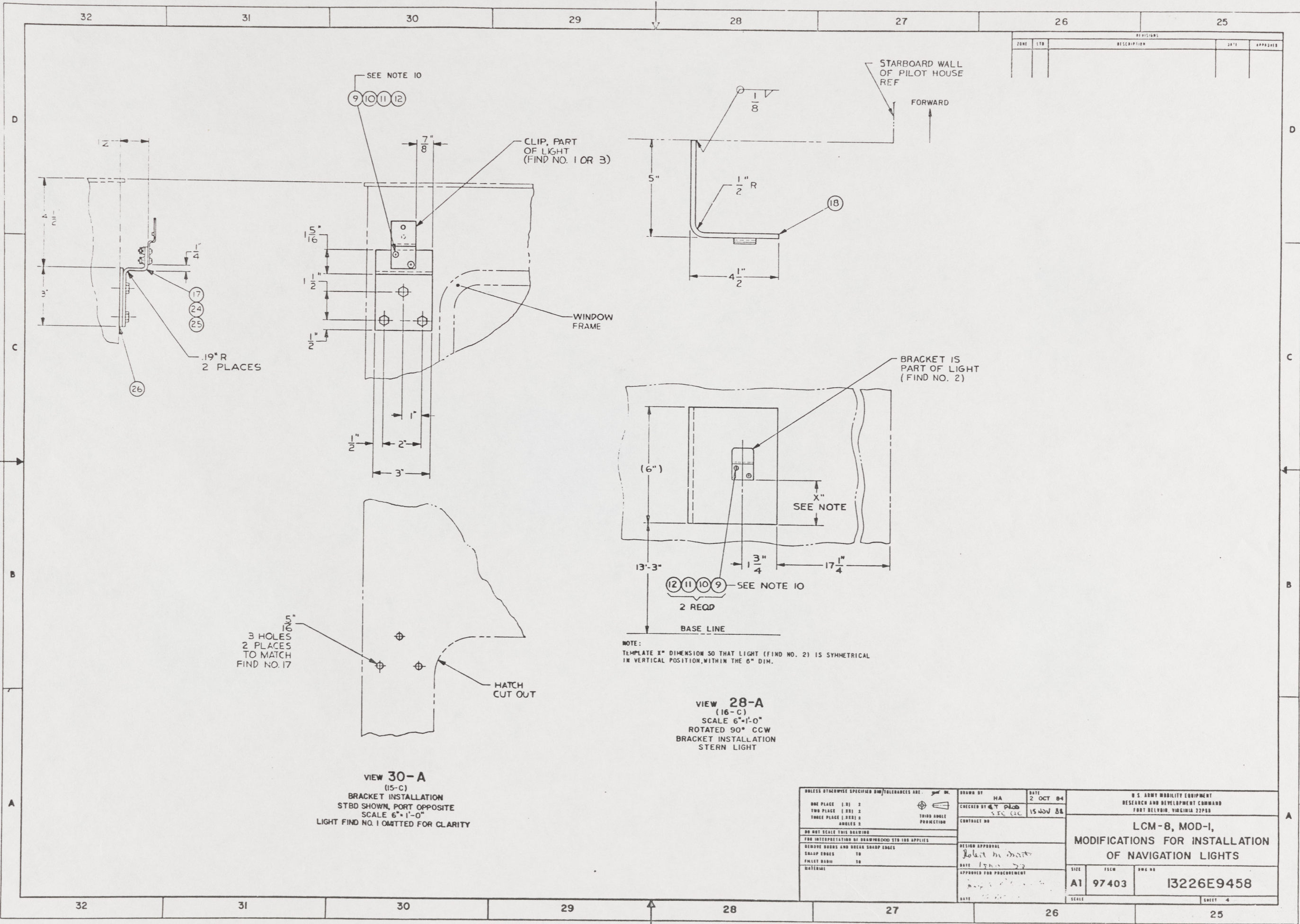
SECTION 19-A  
SCALE 1 1/2" = 1'-0"  
SEE NOTE 12



VIEW 17-A  
SCALE 1 1/2" = 1'-0"  
(ROTATED 45° CCW)

UNLESS OTHERWISE SPECIFIED DIM/TOLERANCES ARE IN IN.		DRAWN BY	HA	DATE	2 OCT 87	U.S. ARMY MOBILITY EQUIPMENT RESEARCH AND DEVELOPMENT COMMAND FORT BELLEVILLE, VIRGINIA 22064	
ONE PLACE (1.0)	±	CHECKED BY	TC MAC	15 NOV 88	LCM-8, MOD-1, MODIFICATIONS FOR INSTALLATION OF NAVIGATION LIGHTS		
TWO PLACES (0.00)	±	CONTRACT NO.					
THREE PLACES (0.001)	±	DESIGN APPROVAL	Robert M. Smith	DATE	15 NOV 85	SIZE	A1
FOUR PLACES (0.0005)	±	APPROVED FOR PROCUREMENT		DATE	15 NOV 85	FIG. NO.	97403
FIVE PLACES (0.0002)	±					FIG. NO.	13226E9458
SIX PLACES (0.0001)	±					SCALE	
SHEET 3							

34



REVISIONS			
ZONE	LTB	DESCRIPTION	DATE

3 HOLES  
1.0 x .5"  
2 PLACES  
TO MATCH  
FIND NO. 17

**VIEW 30-A**  
(15-C)  
BRACKET INSTALLATION  
STBD SHOWN, PORT OPPOSITE  
SCALE 6"=1'-0"  
LIGHT FIND NO. 1 OMITTED FOR CLARITY

NOTE:  
TEMPLATE X" DIMENSION SO THAT LIGHT (FIND NO. 2) IS SYMMETRICAL  
IN VERTICAL POSITION, WITHIN THE 6" DIM.

**VIEW 28-A**  
(16-C)  
SCALE 6"=1'-0"  
ROTATED 90° CCW  
BRACKET INSTALLATION  
STERN LIGHT

35

UNLESS OTHERWISE SPECIFIED DIM/TOLERANCES ARE:	DRAWN BY: HA	DATE: 2 OCT 84	U.S. ARMY MOBILITY EQUIPMENT RESEARCH AND DEVELOPMENT COMMAND FORT BELVOIR, VIRGINIA 22060	
ONE PLACE (1.31) 2	CHECKED BY: <i>plab</i>	15 NOV 88	<b>LCM-8, MOD-1, MODIFICATIONS FOR INSTALLATION OF NAVIGATION LIGHTS</b>	
TWO PLACE (1.32) 3	SEE C/C			
THREE PLACE (1.33) 4	CONTRACT NO.		SIZE: A1	ISSN: 97403
FOUR PLACE (1.34) 5	DESIGN APPROVAL: <i>Robert M. Smith</i>		DWG NO:	13226E9458
DO NOT SCALE THIS DRAWING	DATE: 15 NOV 88		SCALE:	SHEET 4
FOR INTERPRETATION OF DIMENSIONS STD TO UN APPLIES	APPROVED FOR PROCUREMENT:			
REMOVE BORDS AND BREAK SHARP EDGES	DATE:			
SHARP EDGES TO				
FILLET RADIUS TO				
MATERIAL:				