

- NOTES:
- ALL FABRICATION WELDING AND INSPECTION TO BE IN ACCORDANCE WITH NAVSEA 0500-LP-014-5010, WELD SIZES BASED ON USE OF AWS A5.1, CLASS E7018 ELECTRODES FOR LC STEEL TO LC STEEL.
 - TEMPLATE ALL WORK FROM LCM-8 AND EQUIPMENT.
 - EQUIPMENT AND WORKMANSHIP SHALL BE IN ACCORDANCE WITH USCG AND ABS REGULATIONS.
 - REPAIR ALL PAINT DAMAGED BY THIS INSTALLATION AND PAINT ALL NEW STEEL IN ACCORDANCE WITH U.S. ARMY TECHNICAL BULLETIN TB43-0144.
 - MATERIAL ORDERED ON THIS DRAWING IS NOT INTENDED TO BE RESTRICTIVE. SUBSTITUTION OF EQUAL QUALITY MATERIAL MAY BE MADE EXCEPT FOR ITEMS MARKED GFE.
 - SLIGHT DEVIATIONS FROM DIMENSIONS SHOWN ARE PERMISSIBLE TO SUIT ACTUAL CONDITIONS FOUND ABOARD THE VESSEL.
 - COMPONENTS SHOWN BY SOLID, HEAVY LINES ARE NEW AND ARE TO BE INSTALLED IN ACCORDANCE WITH THIS DRAWING. PHANTOM LINES INDICATE EXISTING COMPONENTS INSTALLED BY DRAWINGS REFERENCED AS NOTED.
 - PROJECTING CORNERS AND EDGES TO BE WELL ROUNDED OR PADDED TO PROTECT PERSONNEL.
 - SECURE HOSES, FIND NO. M-14 AND M-17 TO STIFFENERS ON BHD 39, USING CLAMPS, FIND NO. M-15 AND SCREWS, FIND NO. M-16.
 - PIPING SYSTEMS SHALL BE THOROUGHLY CLEANED BY FLUSHING WITH THE MEDIUM FOR WHICH THE SYSTEM IS INTENDED.
 - ALL THREADED PIPE JOINTS SHALL BE ASSEMBLED USING ANTISEIZE TAPES, M-51. PIPING SHALL BE TESTED HYDROSTATICALLY AND ALL JOINTS INSPECTED FOR TIGHTNESS IN ACCORDANCE WITH LCM-8 INSTALLATION INSTRUCTIONS; 55-1905-217-1. TESTS SHALL BE CONDUCTED PRIOR TO PAINTING.
 - IDENTIFY PIPING SYSTEM IN ACCORDANCE WITH TB43-0144.
 - REWORK OIL CAP PORT IN EXISTING ACCUMULATORS TO 3/4" NPTF.
 - SECURE HOSES (OTHER THAN REF IN NOTE 9) USING CLAMPS, FIND NO. M 40 OR M 50 AND SCREWS, M 16, AS REQUIRED. PLACE WEAR RESISTANT MATERIAL IN AREAS WHERE ABRASION IS ANTICIPATED.
 - PIPES OR HOSES OBTURBLED BY FLOOR PLATING OR ENGINE ROOM EQUIPMENT SHALL BE IDENTIFIED BY (COPPER, BRASS, CRES) TAGS IN ACCORDANCE WITH MIL-STD-130. TERMINATIONS AND USE SHALL BE CLEAR.

REFERENCE DRAWINGS APPLICABLE TO HULL NUMBERS 8520 THRU 8539

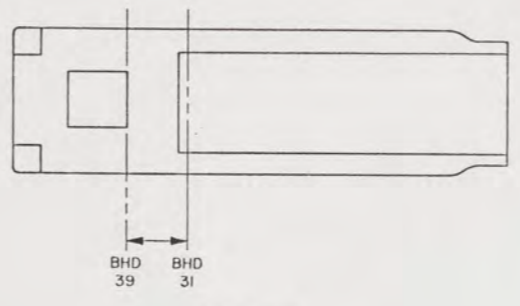
NO.	DRAWING NO.	TITLE
1	13226E9452	LCM-8, MOD-1, CONTROL CONSOLE MODIFICATIONS
2	13226E9452	LCM-8, MOD-1, INSTL MCHRY FLOOR SPACE PLATE
3	13226E9467	LCM-8, MOD-1, MODS TO HYD RESERVOIR, RAMP/HYD START
4	13226E9448	LCM-8, MOD-1, ENGINE FOUNDATIONS
5	145-2534201	BOTTOM PLATING

REFERENCE DRAWINGS APPLICABLE TO HULL NUMBERS 8540 THRU 8560 AND 8580 THRU 8618

NO.	DRAWING NO.	TITLE
1	13226E9463	LCM-8, MOD-1, CONTROL CONSOLE MODIFICATIONS
2	13226E9452	LCM-8, MOD-1, INSTL MCHRY FLOOR SPACE PLATE
3	13226E9467	LCM-8, MOD-1, MODS TO HYD RESERVOIR, RAMP/HYD START
4	13226E9448	LCM-8, MOD-1, ENGINE FOUNDATIONS
5	145-4681031	BOTTOM PLATING

STATUS OF REVISIONS

NO.	DATE	DESCRIPTION	DATE	APPROVED
1		SEE ECP NO. 90HE3102 AND 90HE3103	12/11/84	TRR



KEY VIEW
PLAN 5-C

THIS DRAWING APPLIES
TO HULL NUMBERS
8520 THROUGH 8560 AND
8580 THROUGH 8618 ONLY

YARD	FIND NO.	FSC	DWG SIZE	PART OR IDENTIFYING NO.	QTY REQD	NOMENCLATURE OR DESCRIPTION	SPECIFICATION	MATERIAL
YARD M-51				SIZE II		TAPE ANTISEIZE (SEE NOTE 11)	MIL-1-27730	
YARD M-50				MS21333-78	16	CLAMP, LOOP-STEEL, CUSHIONED, 1.125 SIZE		
YARD M-49				MS21333-76	48	CLAMP, LOOP-STEEL, CUSHIONED, .875 SIZE		
YARD M-45	85105			101-017-178	14	STUD, .375-16 UNC-2A X 1.00 L, W/FERRULE (NELSON)	COML	STEEL
YARD M-47				MS35307-358	16	SCREW, .375-16 UNC-2A X 3/4" L		CRES
YARD M-46					2	PLATE, 4" X 16" X 1/4" STK	ASTM A36	STEEL
YARD M-45	80996			FIG. 120	2	U-BOLT, 1/4" ROD SIZE X 2" PIPE SIZE (GRINNELL)	COML	STEEL
GFE M-44	01843			FRH300116	2	HIGH PRESSURE FILTER (UNITED TECHNOLOGIES)	COML	VARIOUS
GFE M-43	01843			CMD2A111	1	CRANKING MOTOR (C.W.) (UNITED TECHNOLOGIES)	COML	VARIOUS
YARD M-42				MS35307-369	4	SCREW, MACH, HEX HD, .375-16 UNC-2A X 2.75" L		CRES
YARD M-41				MS35338-141	4	WASHER, LOCK-SPRING, .375 NOM SIZE		CRES
YARD M-40				MS51922-18	20	NUT, HEX, .375-16 UNC-2B, SLFLKG		CRES
YARD M-39				MS51922-2	12	NUT, HEX, .250-20 UNC-2B, SLFLKG		CRES
YARD M-38	80996			FIG. 120	4	U-BOLT, 1/4" ROD SIZE X 1/2" PIPE SIZE (GRINNELL)	COML	STEEL
YARD M-37					2	F. B. 9" X 1" X 1/4" STK	ASTM A36	STEEL
YARD M-36					2	PLATE, 4" X 11" X 3/16" STK	ASTM A36	STEEL
YARD M-35					1	PLATE, 4 5/8" X 5 1/2" X 3/16" STK	ASTM A36	STEEL
YARD M-34					1	PLATE, 4 3/16" X 5 1/2" X 3/16" STK	ASTM A36	STEEL
YARD M-33					1	PLATE, 10" X 5 1/2" X 3/16" STK	ASTM A36	STEEL
YARD M-32					1	PLATE, 4 3/16" X 4 3/16" X 3/16" STK	ASTM A36	STEEL
YARD M-31					1	PLATE, 4 5/8" X 4 5/8" X 3/16" STK	ASTM A36	STEEL
YARD M-30				M18C510	4	SHEET, 1/8" X 1" X AR L	ASTM D2000	RUBBER
YARD M-29	08484			30044	4	HOSE CLAMP, 2 5/16"-3 1/4" RANGE (BREEZE)	COML	CRES
YARD M-28	85105			101-107-281	4	TUBULAR CLAMP (NELSON)	COML	STEEL
YARD M-27	85105			101-107-104	10	SINGLE CABLE HANGER (NELSON)	COML	STEEL
YARD M-26	24161			12CIT-12RFJX-196	1	HOSE ASSY, 3/4" JIC SWIVEL X 196" L (GATES)	COML	
YARD M-25	24161			12CIT-12RFJX-219	1	HOSE ASSY, 3/4" JIC SWIVEL X 219" L (GATES)	COML	
YARD M-24	24161			BC1T-BRFJX-136	1	HOSE ASSY, 1/2" JIC SWIVEL X 136" L (GATES)	COML	
YARD M-23	24161			BC1T-BRFJX-112	1	HOSE ASSY, 1/2" JIC SWIVEL X 112" L (GATES)	COML	
YARD M-22	24161			BC1T-BRFJX-98	1	HOSE ASSY, 1/2" JIC SWIVEL X 98" L (GATES)	COML	
YARD M-21	24161			BC1T-BRFJX-96	1	HOSE ASSY, 1/2" JIC SWIVEL X 96" L (GATES)	COML	
YARD M-20	24161			BC1T-BRFJX-80	1	HOSE ASSY, 1/2" JIC SWIVEL X 80" L (GATES)	COML	
YARD M-19	24161			BC1T-BRFJX-68	1	HOSE ASSY, 1/2" JIC SWIVEL X 68" L (GATES)	COML	
YARD M-18	24161			4C2AT-4RFJX-170	1	HOSE ASSY, 1/4" JIC SWIVEL X 170" L (GATES)	COML	
YARD M-17	24161			4C2AT-4RFJX-53	3	HOSE ASSY, 1/4" JIC SWIVEL X 53" L (GATES)	COML	
YARD M-16				MS24625-43	80	SCREW, TAPPING PAN HD, CR, CRES, NO. 10 X .50 L		STEEL
YARD M-15				MS21333-73	16	CLAMP, LOOP-STEEL, CUSHIONED, .625" SIZE		STEEL
YARD M-14	24161			4C2AT-4RFJX-45	1	HOSE ASSY, 1/4" JIC SWIVEL X 45" L (GATES)	COML	
YARD M-13	24161			8C2AT-BRFJX-107	1	HOSE ASSY, 1/2" JIC SWIVEL X 107" L (GATES)	COML	
YARD M-12	24161			8C2AT-BRFJX-80	2	HOSE ASSY, 1/2" JIC SWIVEL X 80" L (GATES)	COML	
YARD M-11	24161			8C2AT-BRFJX-96	1	HOSE ASSY, 1/2" JIC SWIVEL X 96" L (GATES)	COML	
YARD M-10	24161			8C2AT-BRFJX-67	1	HOSE ASSY, 1/2" JIC SWIVEL X 67" L (GATES)	COML	
YARD M-9	24161			8C2AT-BRFJX-53	2	HOSE ASSY, 1/2" JIC SWIVEL X 53" L (GATES)	COML	
YARD M-8	24161			8C2AT-BRFJX-98	1	HOSE ASSY, 1/2" JIC SWIVEL X 98" L (GATES)	COML	

YARD	FIND NO.	FSC	DWG SIZE	PART OR IDENTIFYING NO.	QTY REQD	NOMENCLATURE OR DESCRIPTION	SPECIFICATION	MATERIAL
YARD M-7	24161			8C2AT-BRFJX-51	1	HOSE ASSY, 1/2 IN. JIC SWIVEL X 51" L (GATES)	COML	
YARD M-6	24161			8C2AT-BRFJX-28	4	HOSE ASSY, 1/2 IN. JIC SWIVEL X 28" L (GATES)	COML	
YARD M-5	24161			8C2AT-BRFJX-16	1	HOSE ASSY, 1/2 IN. JIC SWIVEL X 16" L (GATES)	COML	
YARD M-4	24161			8C2AT-BRFJX-102	1	HOSE ASSY, 1/2 IN. JIC SWIVEL X 102" L (GATES)	COML	
GFE M-3	01843			G0200656	2	GAUGE, 0 TO 5000 PSI (UNITED TECHNOLOGIES)	COML	
GFE M-2	01843			BR200740	4	ACCUMULATOR BRACKET (UNITED TECHNOLOGIES)	COML	
GFE M-1	01843			ACB-308-7110B	2	ACCUMULATOR (UNITED TECHNOLOGIES)	COML	
GFE V-6	96259			1A32-FH-60S	1	VALVE, RELIEF, 1/2" NPTF, SET AT 3400 PSI (FLUID CONTROL)	COML	
GFE V-5	82271			J14LE-6-24	2	VALVE, SOLENOID, 2-WAY, 3/4" NPTF (WATERMAN)	COML	
GFE V-4	29771			S650-S1	4	VALVE, GLOBE, 3/4", NPTF (DELTROL)	COML	
GFE V-3	29771			S450-S1	2	VALVE, GLOBE, 1/2", NPTF (DELTROL)	COML	
GFE V-2	29771			S350-S1	1	VALVE, GLOBE, 3/8", NPTF (DELTROL)	COML	
GFE V-1	29771			S250-S1	4	VALVE, GLOBE, 1/4", NPTF (DELTROL)	COML	
YARD F-37	98660			AC2000-12-B	1	ELBOW, 90°, MALE, 3/4" JIC X 1/2" IPS (FLODAR)	COML	STEEL
YARD F-36	98660			PF011-B	2	UNION, PIPE, 1/2" IPS (FLODAR)	COML	STEEL
YARD F-35	98660			PF3001-B	1	TEE, MALE, MALE, 1/2" IPS (FLODAR)	COML	STEEL
YARD F-34	98660			PF110-6-4	1	ADAPTER, 3/4" IPS FEM X 1/4" IPS MALE (FLODAR)	COML	STEEL
YARD F-33	98660			PF3110-12	2	TEE, FEMALE, FEMALE, MALE, 3/4" IPS (FLODAR)	COML	STEEL
YARD F-32	98660			PF3110-B	2	TEE, FEMALE, FEMALE, MALE, 1/2" IPS (FLODAR)	COML	STEEL
YARD F-31	98660			PF110-B-6	1	ADAPTER, 1/2" IPS FEMALE X 3/8" IPS MALE (FLODAR)	COML	STEEL
YARD F-30	98660			PF3011-B	2	TEE, FEMALE, MALE, FEMALE, 1/2" IPS (FLODAR)	COML	STEEL
YARD F-29	98660			PF3010-12	4	TEE, FEMALE, MALE, MALE, 3/4" IPS (FLODAR)	COML	STEEL
YARD F-28	98660			AC55-B-4	1	TUBE END REDUCER, 1/2" JIC X 1/4" JIC (FLODAR)	COML	STEEL
YARD F-27	98660			PF110-12-4	4	ADAPTER, 3/4" IPS FEMALE X 1/4" IPS MALE (FLODAR)	COML	STEEL
YARD F-26	98660			AC1000-B	2	CONNECTOR, MALE, 1/2" JIC X 3/8" IPS (FLODAR)	COML	STEEL
YARD F-25	98660			PF20-6	1	ELBOW, 90°, MALE, 3/8" IPS X 3/8" IPS (FLODAR)	COML	STEEL
YARD F-24	98660			AC1100-4-4	1	CONNECTOR, 1/4" JIC X 1/4" IPS FEMALE (FLODAR)	COML	STEEL
YARD F-23	98660			PF10-12-6	2	HEX NIPPLE, REDUCING, 3/4" IPS X 3/8" IPS (FLODAR)	COML	STEEL
YARD F-22	98660			PF31-B	2	TEE, FEMALE, 1/2" IPS (FLODAR)	COML	STEEL
YARD F-21	98660			AC3300-B-8-B	3	TEE, MALE, RUN, 1/2" JIC X 1/2" IPS X 1/2" JIC (FLODAR)	COML	STEEL
YARD F-20	98660			AC3200-B	3	TEE, MALE, 1/2" JIC X 1/2" JIC X 1/2" JIC (FLODAR)	COML	STEEL
YARD F-19	98660			AC3000-B	2	TEE, MALE, BRANCH, 1/2" JIC X 1/2" JIC X 3/8" IPS (FLODAR)	COML	STEEL
YARD F-18	98660			AC2000-12	1	ELBOW, 90°, MALE, 3/4" JIC X 3/4" IPS (FLODAR)	COML	STEEL
YARD F-17	98660			AC2000-8-4	3	ELBOW, 90°, MALE, 1/2" JIC X 1/4" IPS (FLODAR)	COML	STEEL
YARD F-16	98660			AC2000-8-12	2	ELBOW, 90°, MALE, 1/2" JIC X 3/4" IPS (FLODAR)	COML	STEEL
YARD F-15	98660			AC2000-4-4	1	ELBOW, 90°, MALE, 1/4" JIC X 1/4" IPS (FLODAR)	COML	STEEL
YARD F-14	98660			PF201-12-8	1	ELBOW, 90°, SHEET, 3/4" IPS MALE X 1/2" IPS FEM (FLODAR)	COML	STEEL
YARD F-13	98660			AC1000-B-8	6	CONNECTOR, MALE, 1/2" JIC X 1/2" IPS (FLODAR)	COML	STEEL
YARD F-12	98660			AC1000-B-12	6	CONNECTOR, MALE, 1/2" JIC X 3/8" IPS (FLODAR)	COML	STEEL
YARD F-11	98660			AC1000-4-4	7	CONNECTOR, MALE, 1/4" JIC X 1/4" IPS (FLODAR)	COML	STEEL
YARD F-10					4	COUPLING, 1/4", THREADED, CL 3000	ANSI B16.11	FGD STL
YARD F-9	98660			PF101-16-B	1	REDUCER BUSHING, 1" X 1/2" IPS (FLODAR)	COML	STEEL
YARD F-8	98660			PF3010-B	1	TEE, MALE, FEMALE, MALE, 1/2" IPS (FLODAR)	COML	STEEL
YARD F-7					1	REDUCER, 3/4" X 1/2", THREADED, CL 300	ANSI B16.3	NI
YARD F-6	98660			PF11-12	2	COUPLING, PIPE, 3/4" IPS (FLODAR)	COML	STEEL
YARD F-5	98660			PF60-B	1	PLUG, SO HD, 1/2" IPS (FLODAR)	COML	STEEL
YARD F-4	98660			AC2000-B-8	3	ELBOW, 90°, MALE, 1/2" JIC X 1/2" IPS (FLODAR)	COML	STEEL
YARD F-3	98660			AC2000-B	2	ELBOW, 90°, MALE, 1/2" JIC X 3/8" IPS (FLODAR)	COML	STEEL
YARD F-2	98660			A18-B	1	TUBE, NUT, 1/2" JIC (FLODAR)	COML	STEEL
YARD F-1	98660			PF10-B	4	HEX NIPPLE, 1/2" IPS (FLODAR)	COML	STEEL
YARD P-2					AR	PIPE, 3/4", BLACK, SEAMLESS, SCHED 80	ASTM A53	STEEL
YARD P-1					AR	PIPE, 1/2", BLACK, SEAMLESS, SCHED 80	ASTM A53	STEEL

PARTS LIST

UNLESS OTHERWISE SPECIFIED DIM/TOLERANCES ARE: .001 IN. DIMENSIONS, .001 IN. ANGLES, .001 IN. PROJECTIONS

DRAWN BY: TRR DATE: 1 SEP 84

CHECKED BY: G T PR200 DATE: 15 NOV 88

CONTRACT NO:

DESIGN APPROVAL: Robert M. Drive

DATE: 12/11/84

APPROVED FOR PROCUREMENT: [Signature]

DATE: 12/11/84

U.S. ARMY MOBILITY EQUIPMENT RESEARCH AND DEVELOPMENT COMMAND FORT BELVOIR, VIRGINIA 22060

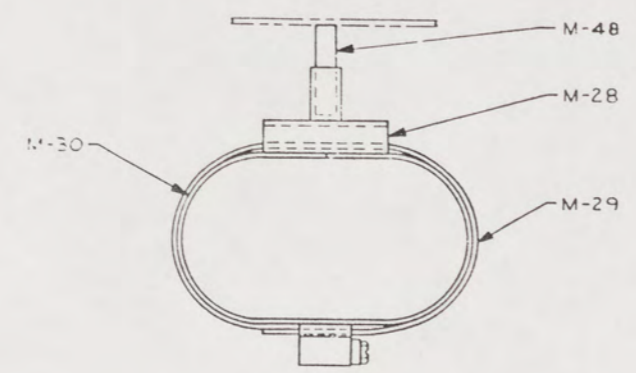
LCM-8, MOD-1, MODIFICATION HYDRAULIC START SYSTEM

SIZE: A1 FSC: 97403 DWG NO: 13226E9455

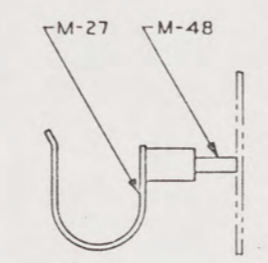
SCALE: NOTED SHEET 1 OF 5

16 15 14 13 12 11 10 9

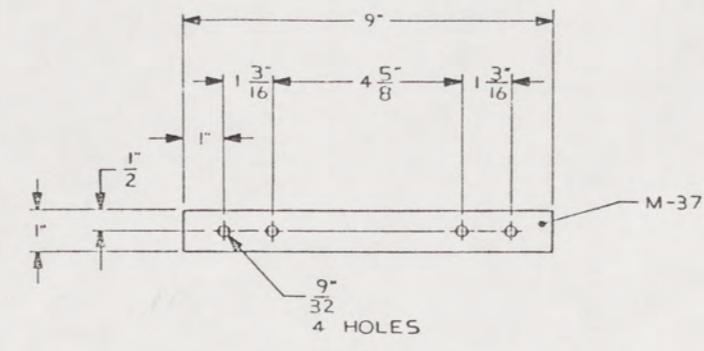
REVISIONS				
ZONE	STR	DESCRIPTION	DATE	APPROVER



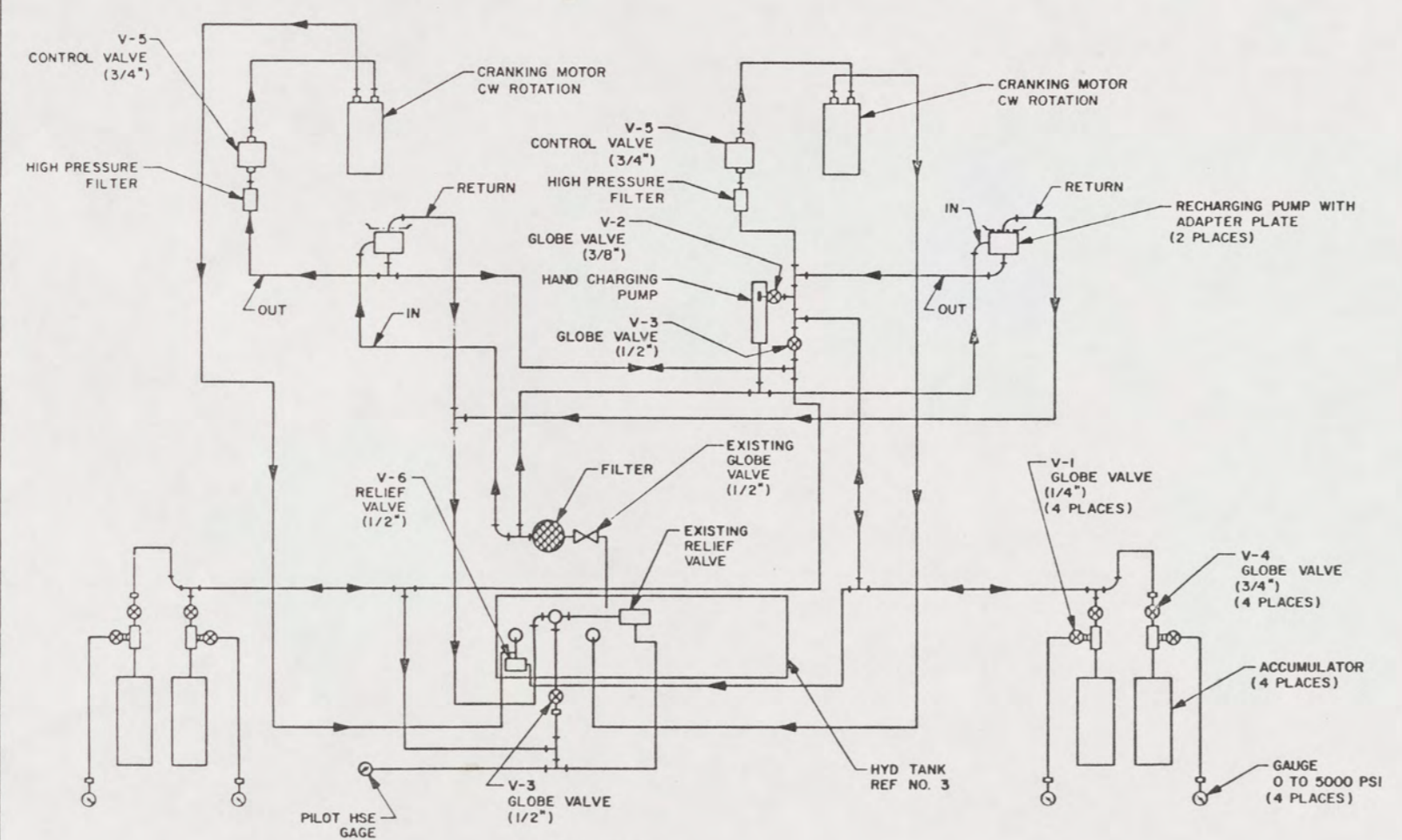
VIEW 15-C
TYP MULTIPLE HYDR HOSE SUPPORT
SCALE 1/1



VIEW 13-D
TYP SINGLE HYDR HOSE SUPPORT
SCALE 1/1



DETAIL 12-C
(29-D)
SCALE 1/2



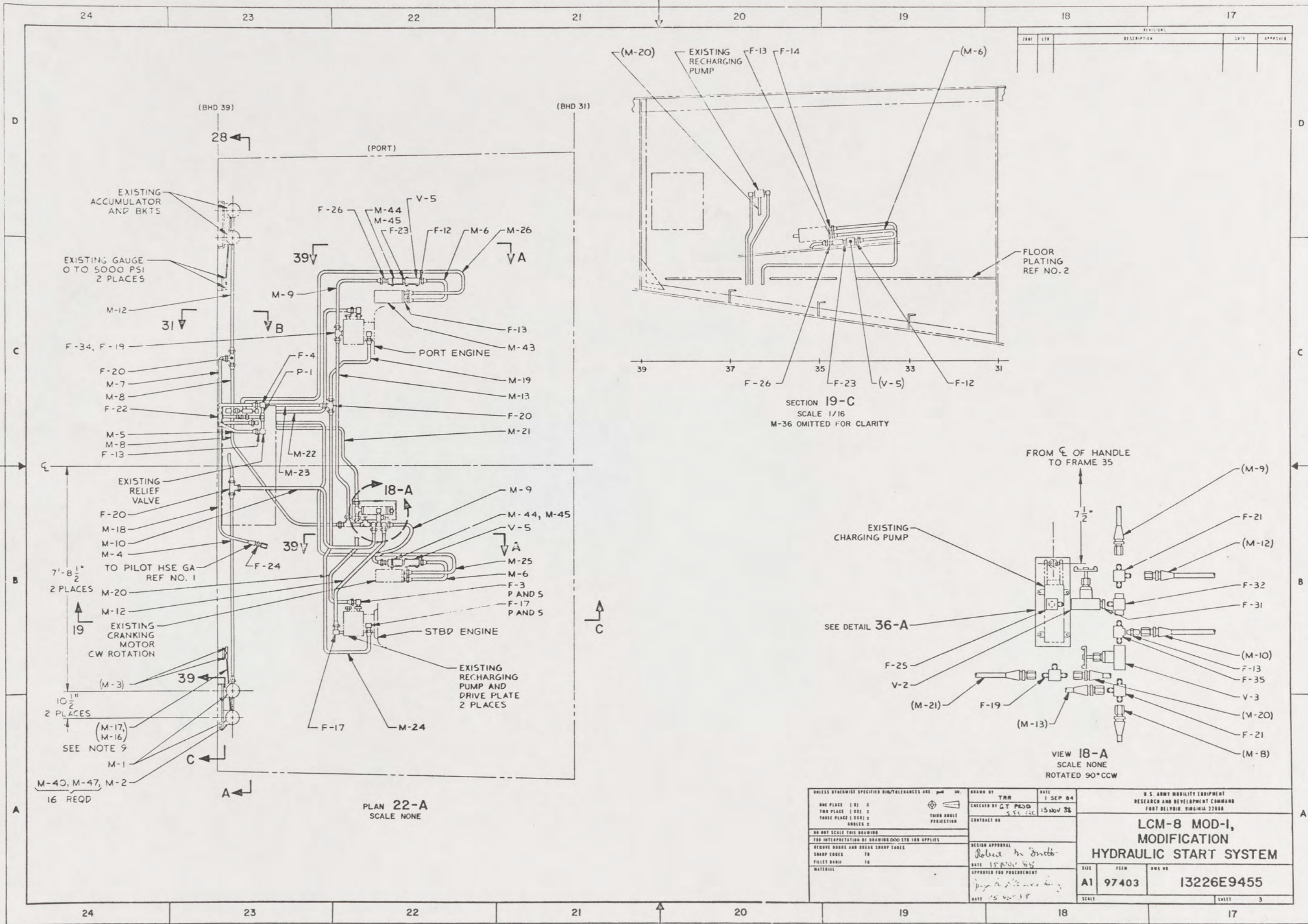
DIAGRAMMATIC
HYDRAULIC START SYSTEM

UNLESS OTHERWISE SPECIFIED DIMS/TOLERANCES ARE μ m IN.	DRAWN BY TNR	DATE 1 SEP 64
ONE PLACE (1 01) 2	CHECKED BY C.T. M... SFC	15 NOV 68
TWO PLACE (1 02) 3	CONTRACT NO.	
THREE PLACE (1 03) 4	DESIGN APPROVAL J... 15 NOV 68	
FOUR PLACE (1 04) 5	APPROVED FOR PROCUREMENT	
DO NOT SCALE THIS DRAWING	DATE	
FOR INTERPRETATION OF DRAWING DOD STD 100 APPLIES		
REMOVE SHARP AND BREAK SHARP EDGES		
SHARP EDGES TO		
FILED RADIUS TO		
MATERIAL		

U.S. ARMY MOBILITY EQUIPMENT RESEARCH AND DEVELOPMENT COMMAND FORT BELVOIR, VIRGINIA 22060		
LCM-8 MOD-1, MODIFICATION HYDRAULIC START SYSTEM		
SIZE A1	FIGURE 97403	FORM NO. 13226E9455
SCALE	SHEET 2	

16 15 14 13 12 11 10 9

22



REVISIONS				
NO.	DATE	DESCRIPTION	BY	APPROVED

SECTION 19-C
SCALE 1/16
M-36 OMITTED FOR CLARITY

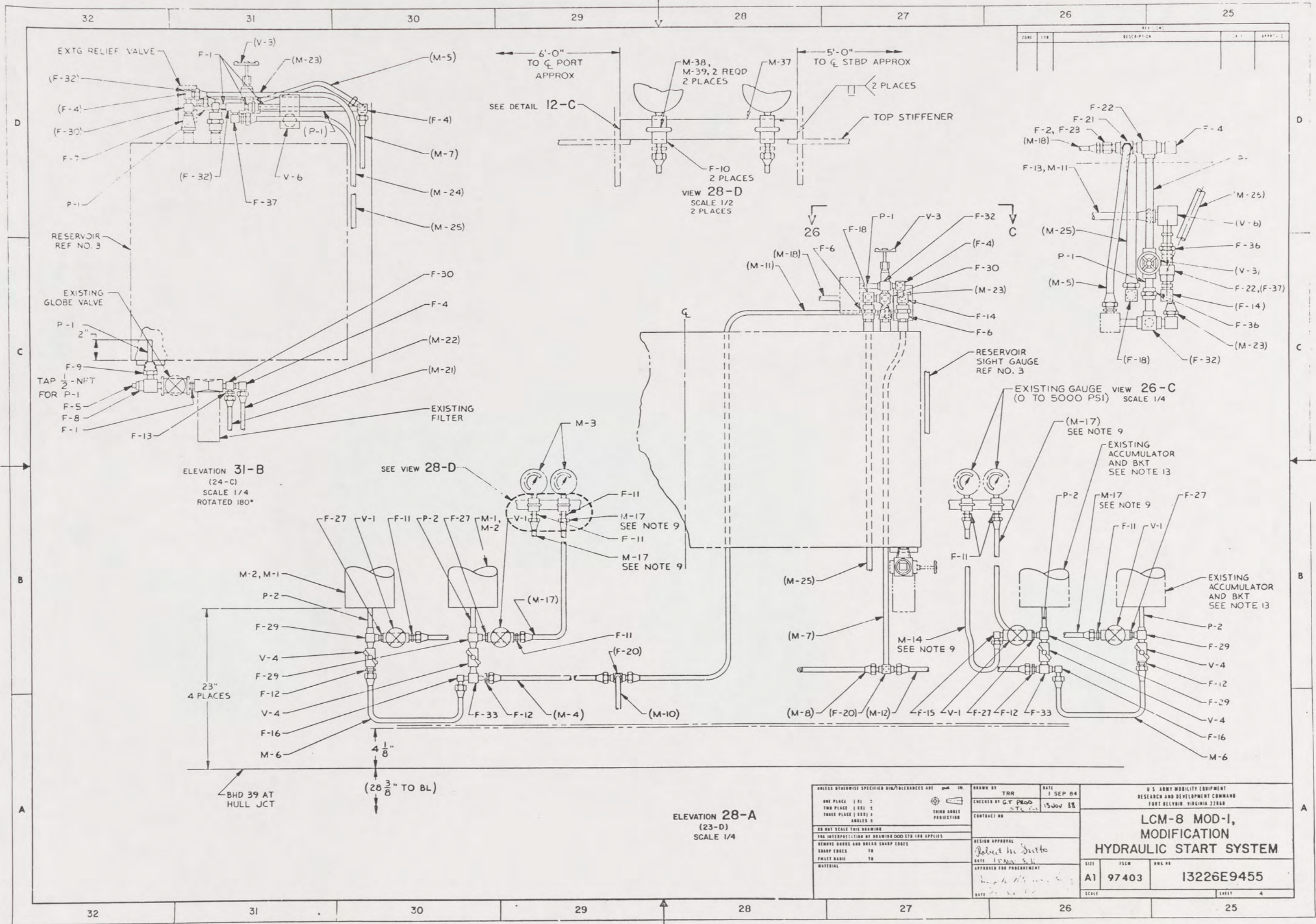
VIEW 18-A
SCALE NONE
ROTATED 90°CCW

PLAN 22-A
SCALE NONE

M-40, M-47, M-2
16 REQD

UNLESS OTHERWISE SPECIFIED DIM/TOLERANCES ARE IN: INCHES		DRAWN BY: TWR	DATE: 1 SEP 64	U.S. ARMY MOBILITY EQUIPMENT RESEARCH AND DEVELOPMENT COMMAND FORT BELVOIR, VIRGINIA 22060	
ONE PLACE () .1	TWO PLACE () .01	CHECKED BY: GY PADD	DATE: 15 NOV 63	LCM-8 MOD-1, MODIFICATION HYDRAULIC START SYSTEM	
THREE PLACE () .001	FOUR PLACE () .0001	CONTRACT NO:			
SHARP EDGES TO		DESIGN APPROVAL:		SIZE: A1 FIG: 97403 SHEET: 3 SCALE: 13226E9455	
FILLET RADIUS TO		DATE: 15 NOV 63			
MATERIAL:		APPROVED FOR PROCUREMENT:			
		DATE: 15 NOV 63			

23



NO.	REV.	DESCRIPTION	DATE	APPROVED

ELEVATION 31-B
(24-C)
SCALE 1/4
ROTATED 180°

ELEVATION 28-A
(23-D)
SCALE 1/4

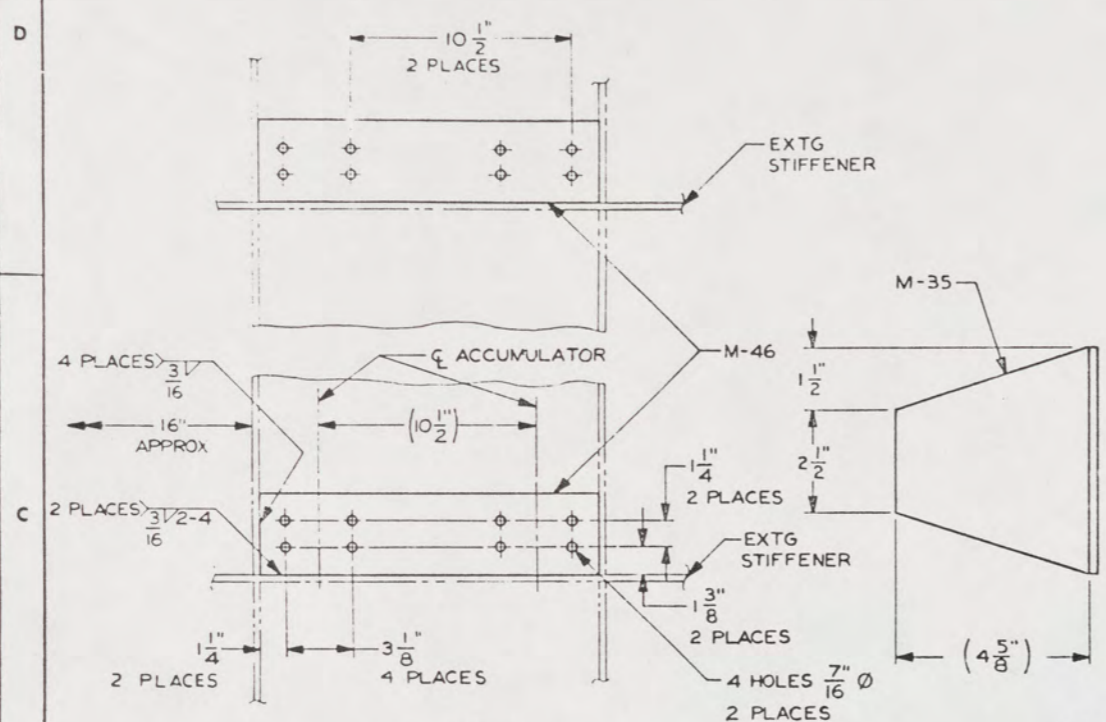
EXISTING GAUGE VIEW 26-C
(0 TO 5000 PSI)
SCALE 1/4

UNLESS OTHERWISE SPECIFIED DIM/TOLERANCES ARE IN INCHES		DRAWN BY: TWR	DATE: 1 SEP 84	U.S. ARMY MOBILITY EQUIPMENT RESEARCH AND DEVELOPMENT COMMAND FORT BELVOIR, VIRGINIA 22060	
ONE PLACE (0.1)	±	CHECKED BY: G.T. PLOD	DATE: 15 NOV 84	LCM-8 MOD-1, MODIFICATION HYDRAULIC START SYSTEM	
TWO PLACE (0.01)	±	CONTRACT NO.			
THREE PLACE (0.001)	±	DESIGN APPROVAL: Robert M. Sutto		SIZE: A1	TASC: 97403 DMC NO: 13226E9455
FOUR PLACE (0.0001)	±	DATE: 15 NOV 84		SCALE: 1	
FIVE PLACE (0.00001)	±	APPROVED FOR FABRICATION: [Signature]		SHEET: 4	
MATERIAL	±	DATE: 15 NOV 84			

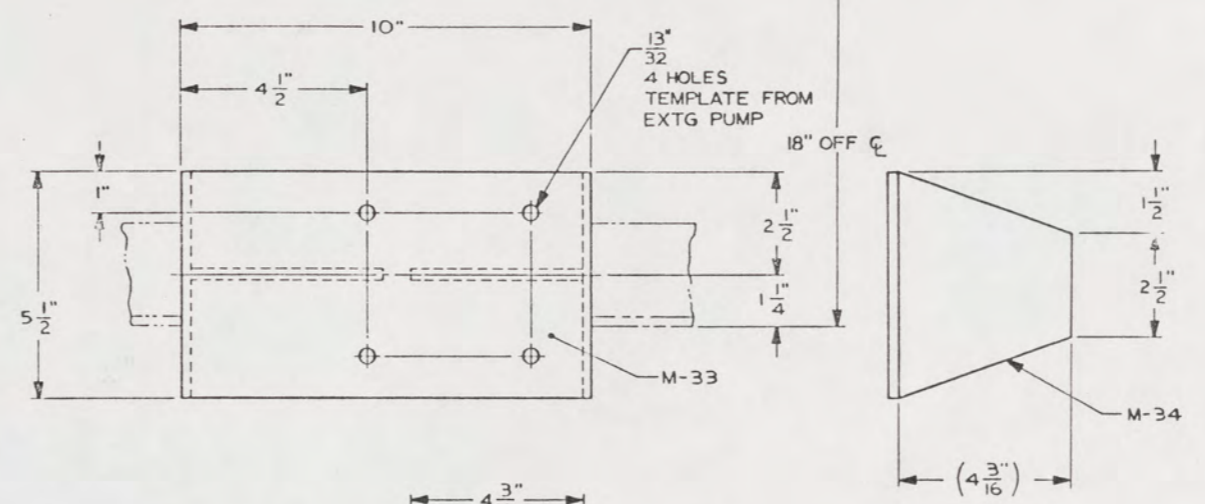
24

40 39 38 37 36 35 34 33

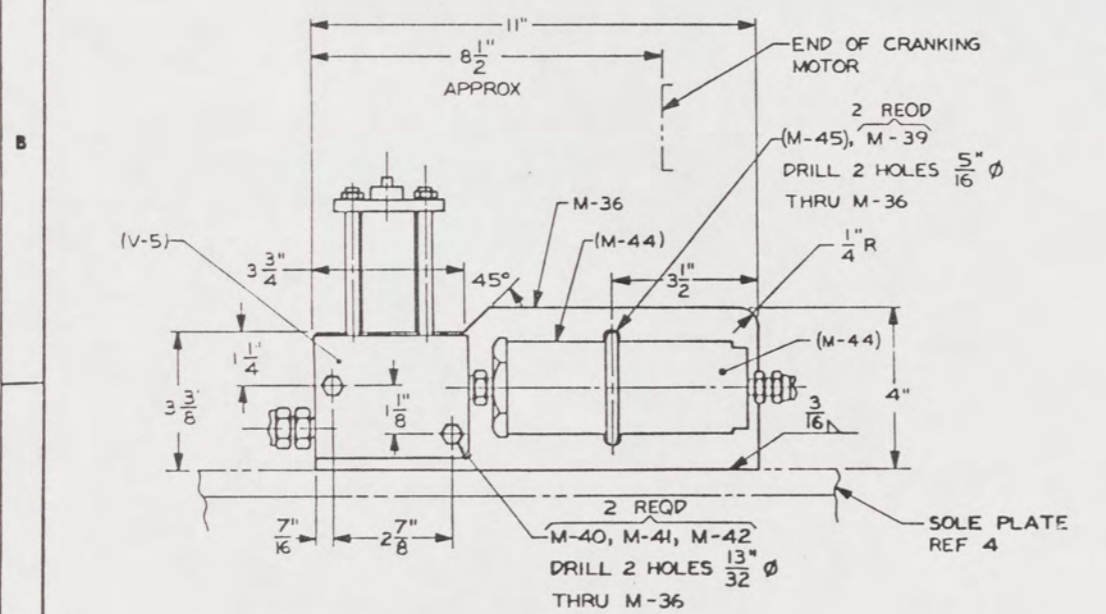
REVISIONS				
NO.	DATE	DESCRIPTION	BY	APPROVED



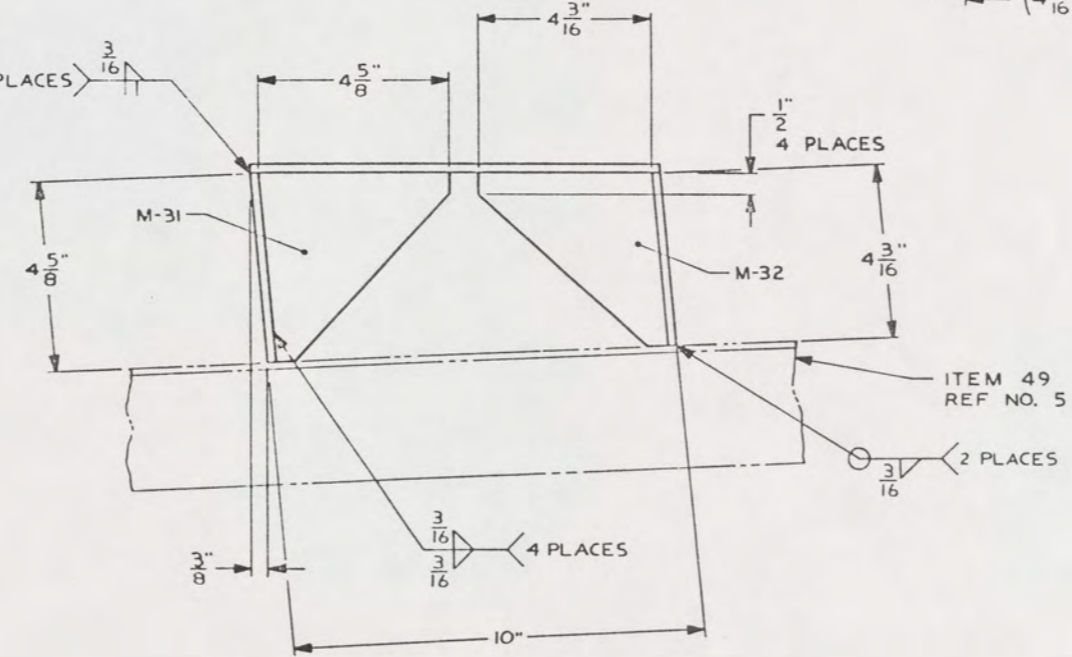
DETAIL 39-C
(23-B)
SCALE 3" = 1'-0"
ACCUMULATOR FOUNDATION



DETAIL 36-A
(19-B)
SCALE 1/2



DETAIL 39-A
(23-C)(23-B)
SCALE 1/2
ROTATED 180°



UNLESS OTHERWISE SPECIFIED DIM/TOLERANCES ARE IN IN.		DRAWN BY EJR		DATE 20 NOV 84		U.S. ARMY MOBILITY EQUIPMENT RESEARCH AND DEVELOPMENT COMMAND FORT BELVOIR, VIRGINIA 22060	
ONE PLACE (.01) ±	TWO PLACE (.001) ±	THREE PLACE (.0001) ±	FOUR PLACE (.00001) ±	CHECKED BY CT P600	DATE 15 NOV 84	LCM-8 MOD-1, MODIFICATION HYDRAULIC START SYSTEM	
DO NOT SCALE THIS DRAWING FOR INTERPRETATION AT DRAWINGBOARD SIZE YOU APPLY				DESIGN APPROVAL Johid h. dnato		SIZE A1	
SHARP EDGES AND BREAK SHARP EDGES FILLET RADIUS TO				DATE 10 DEC 84		FILM 97403	
MATERIAL				APPROVED FOR PROCUREMENT [Signature]		DWG NO 13226E9455	
				DATE 12 DEC 84		SCALE SHEET 5	

40 39 38 37 36 35 34 33

25